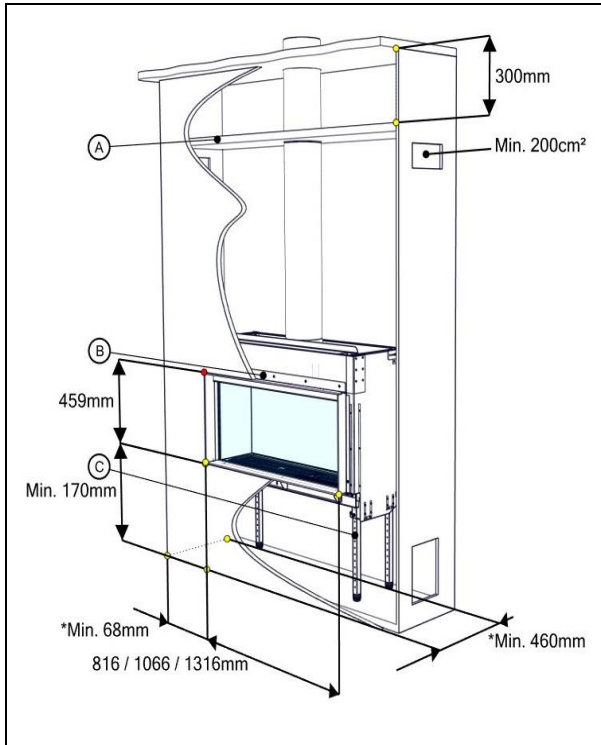


**Installation manual**  
**Matrix 800/400 I,II,III**  
**Matrix 1050/400 I,II,III**  
**Matrix 1300/400 I,II,III**  
**ENG**



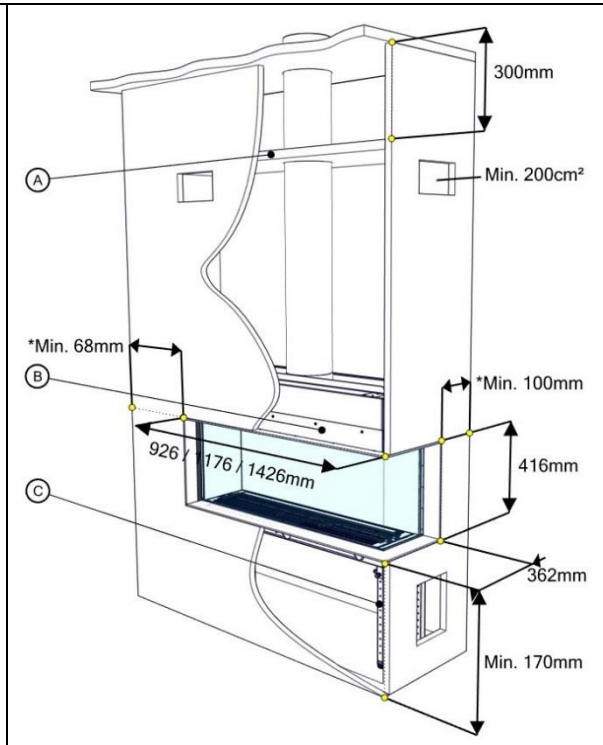
40011752-1944

 **faber**



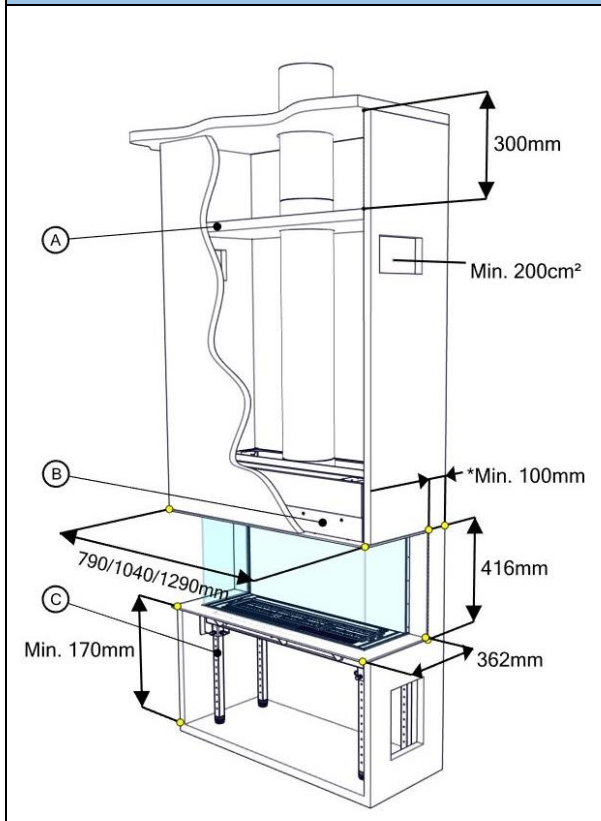
\*With non-combustible materials and ventilated chimney breast.

1.0



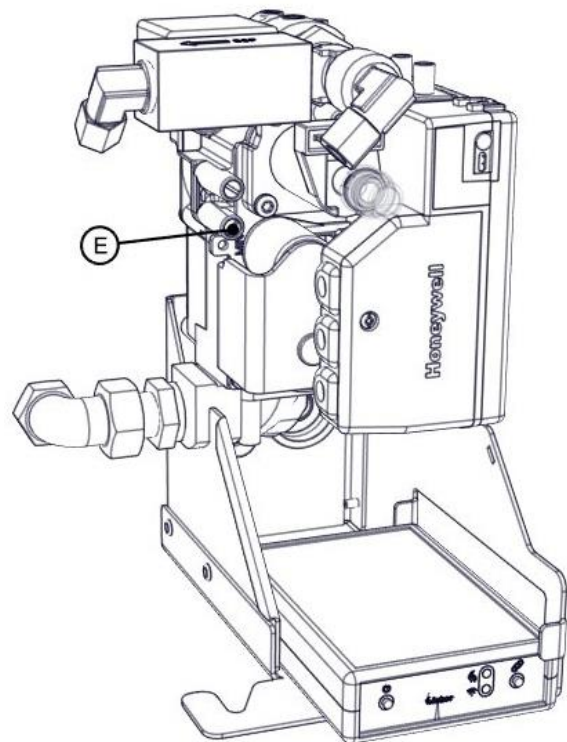
\* With non-combustible materials and ventilated chimney breast

1.1

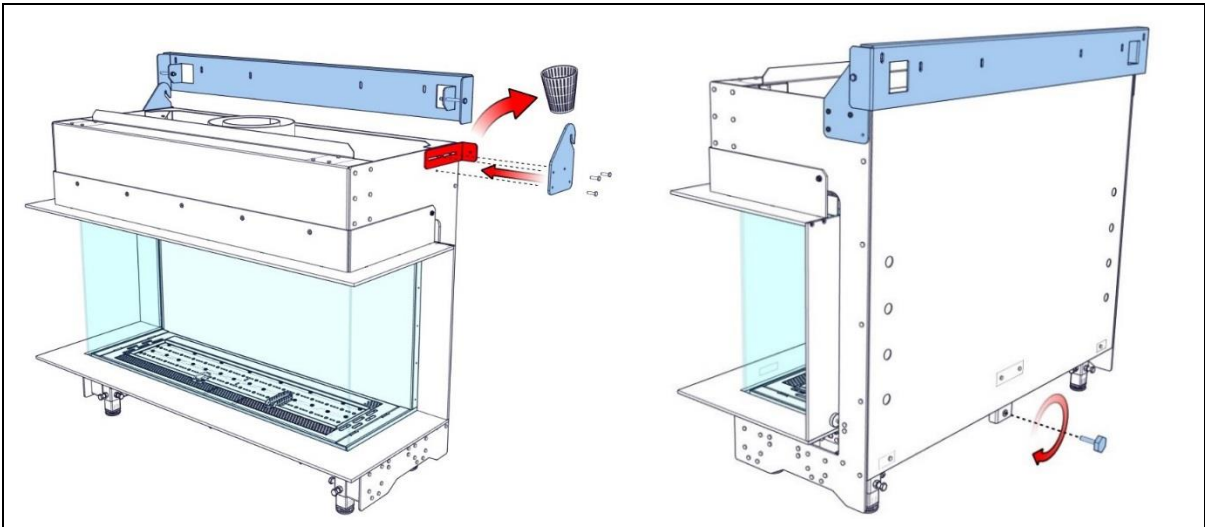


\*With non-combustible materials and ventilated chimney breast

1.2



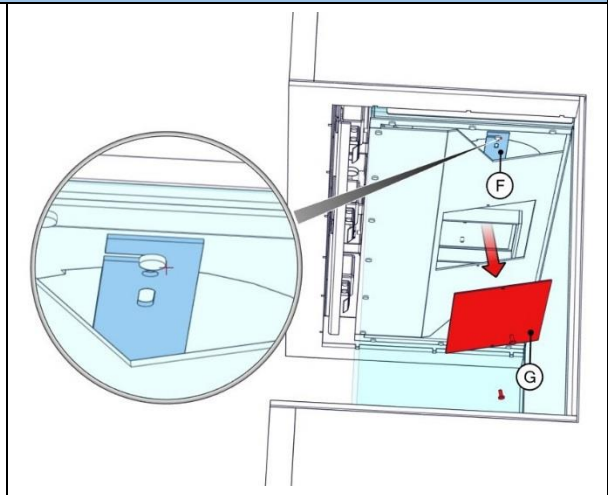
1.3



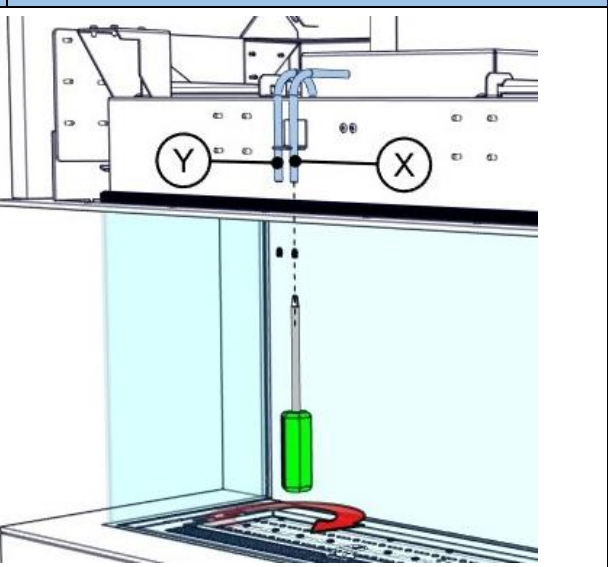
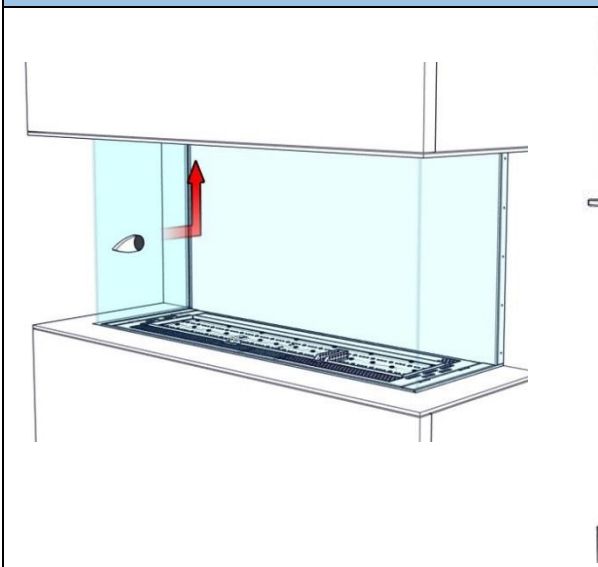
1.4



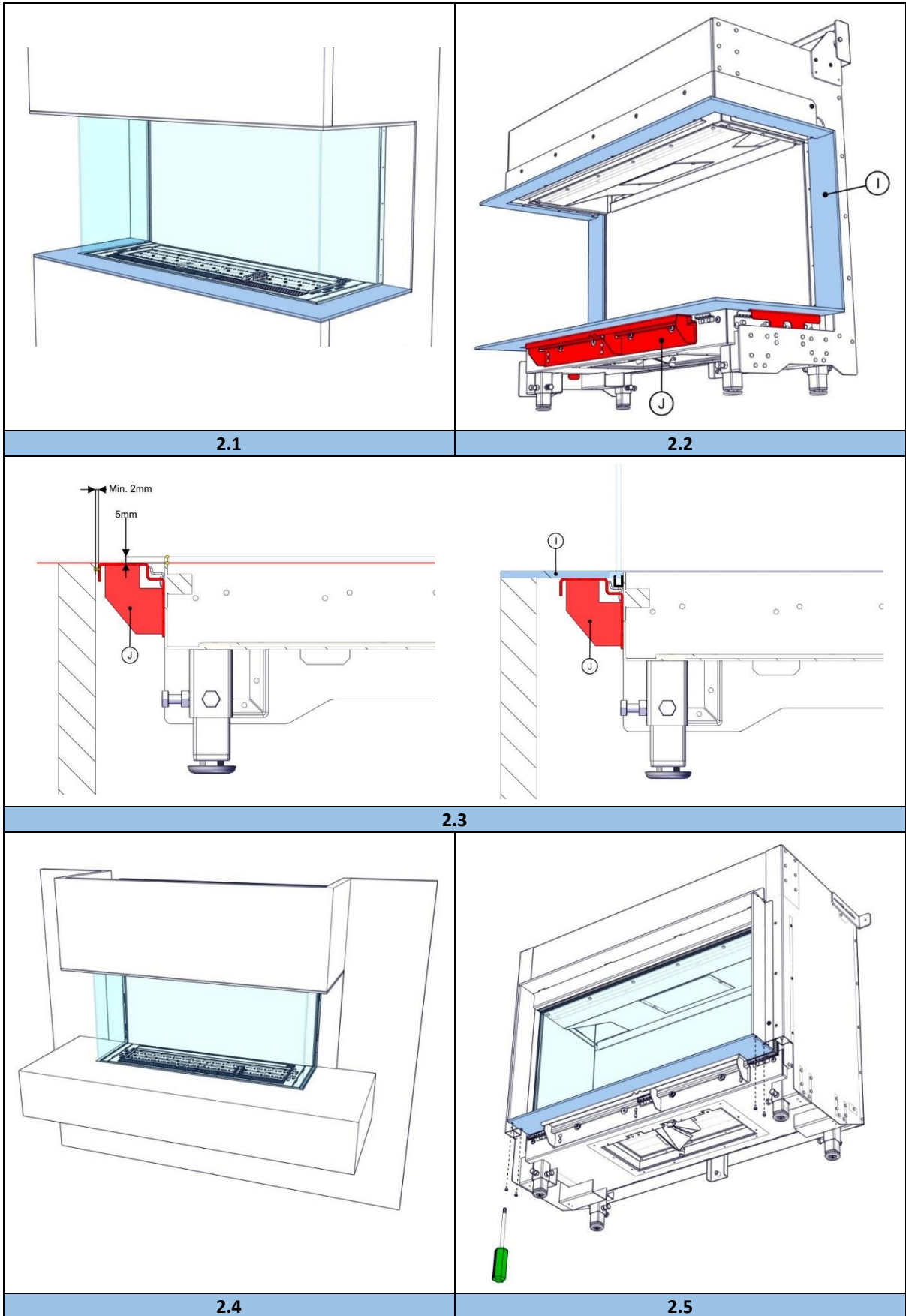
1.5

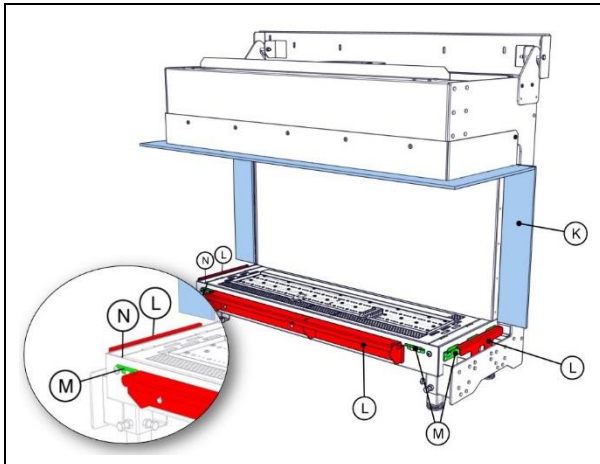


1.6

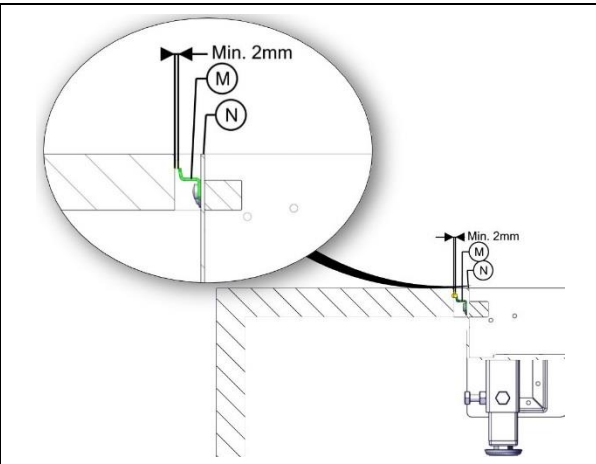


2.0

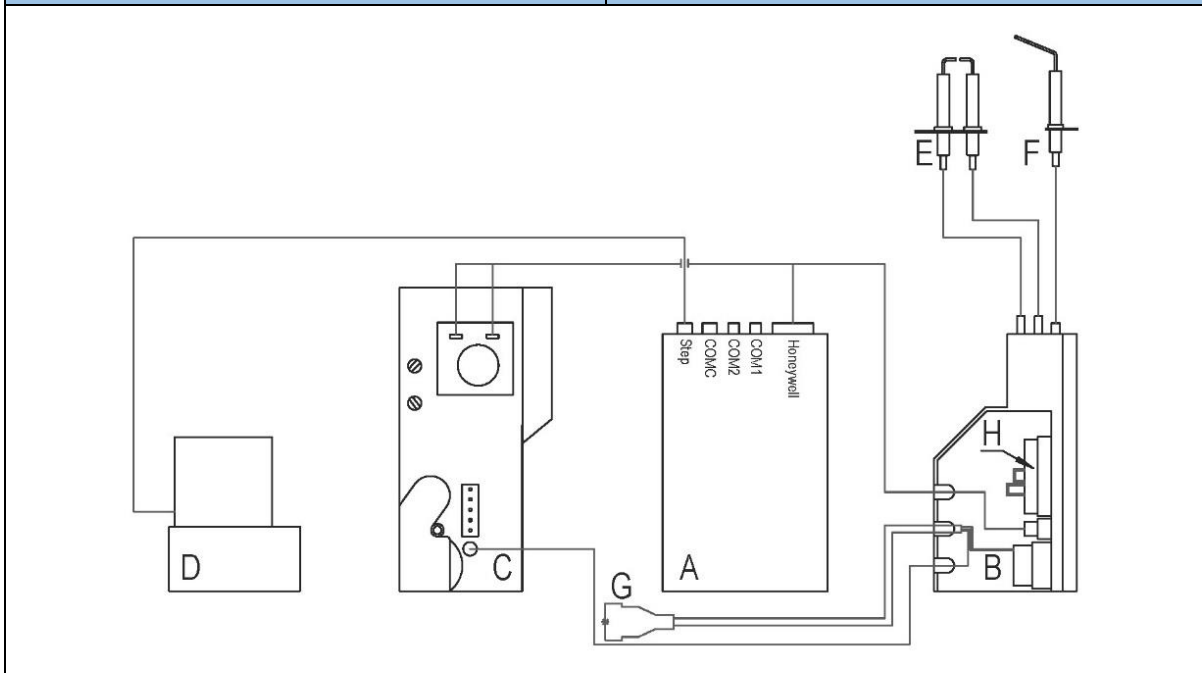




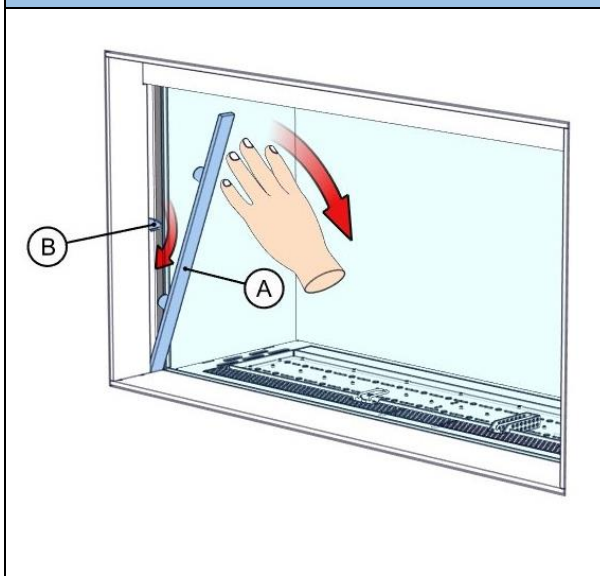
2.6



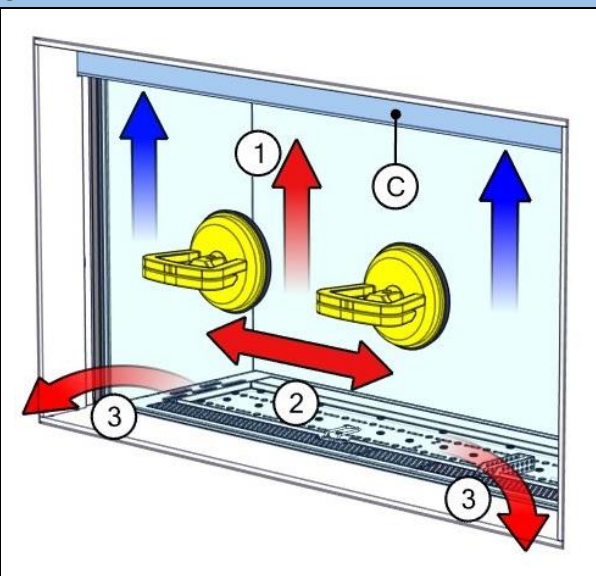
2.7



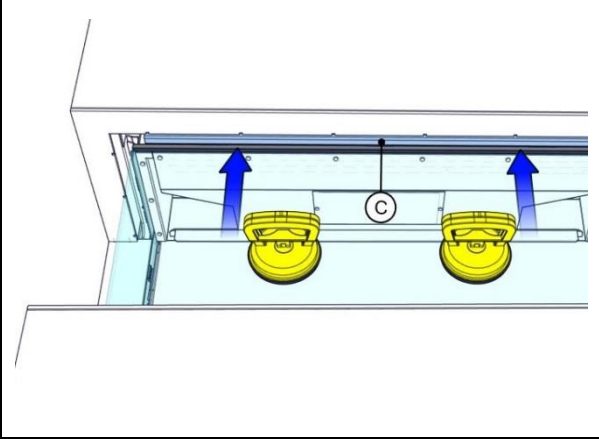
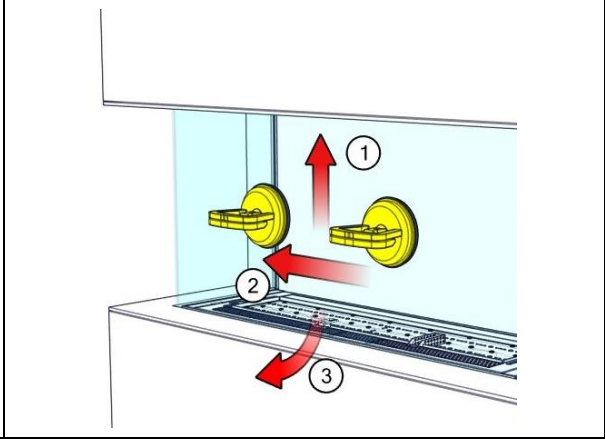
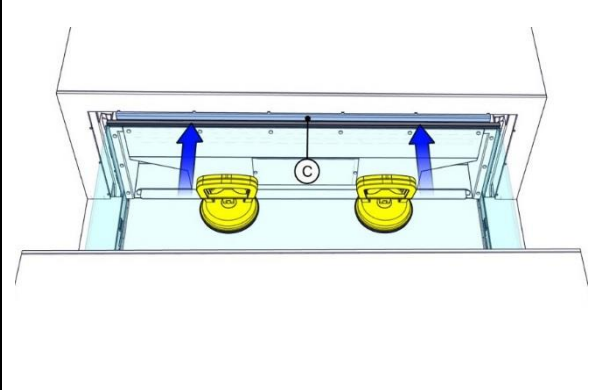
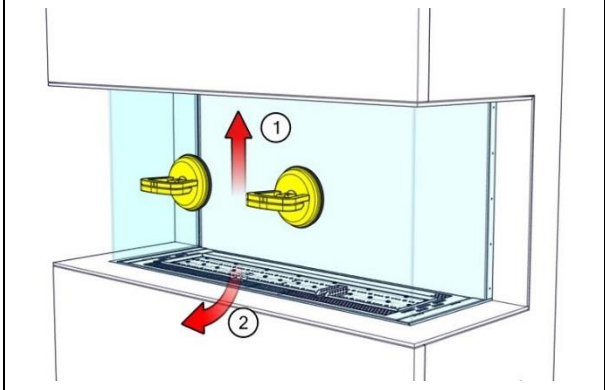
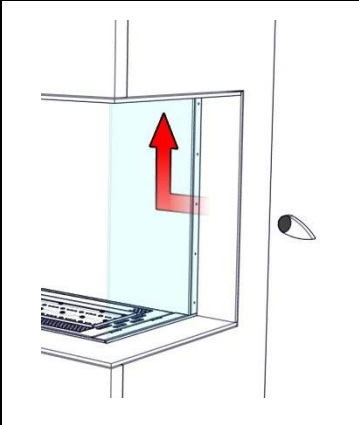
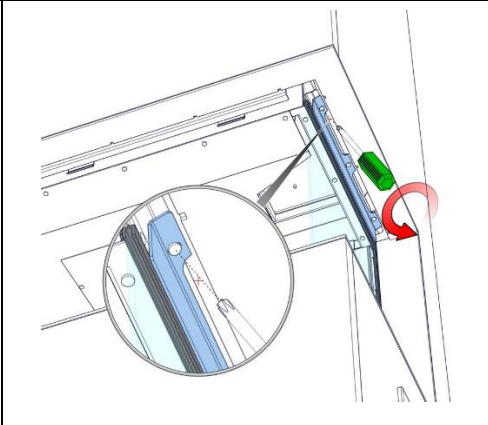
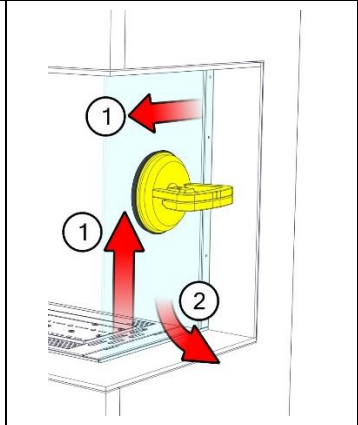
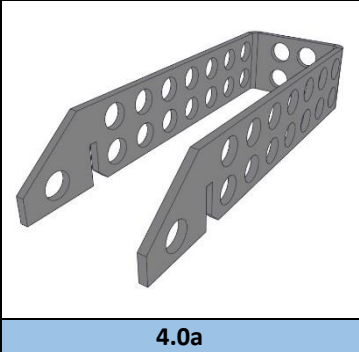
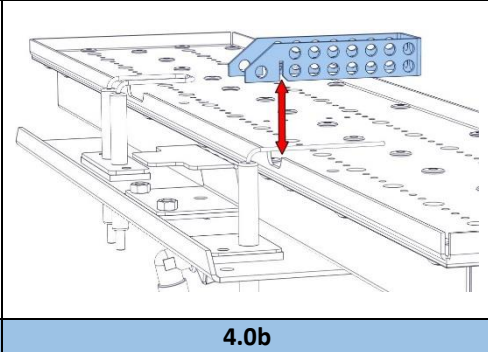
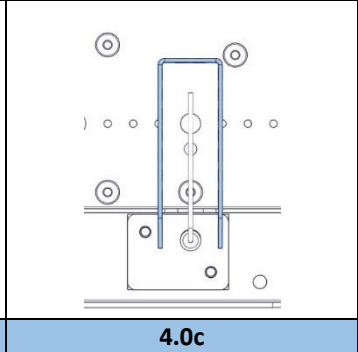
2.8

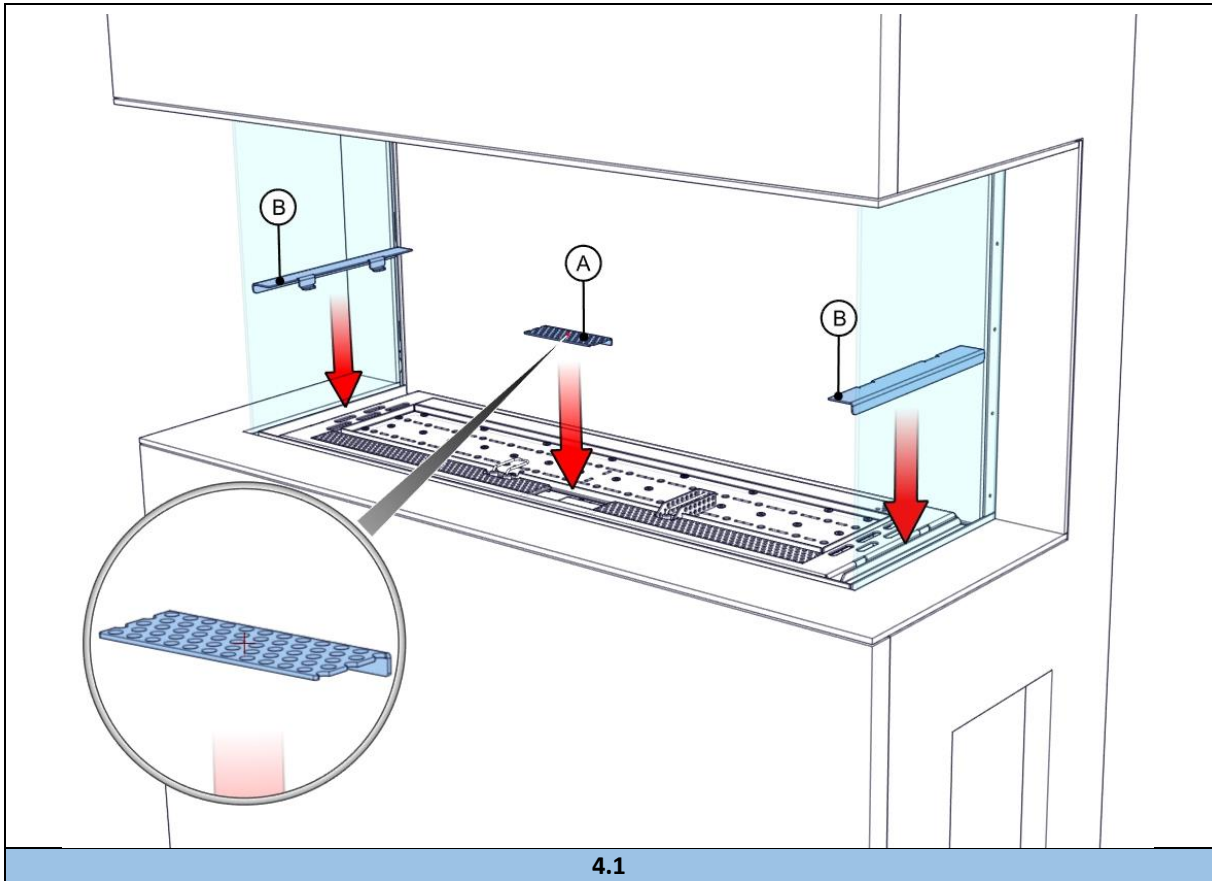


3.0



3.1

		
<b>3.2</b>	<b>3.3</b>	
		
<b>3.4</b>	<b>3.5</b>	
		
<b>3.6</b>	<b>3.7</b>	<b>3.8</b>
		
<b>4.0a</b>	<b>4.0b</b>	<b>4.0c</b>





## 1 Dear user

Congratulations on your purchase of a Faber fire! A quality product from which you will experience warmth and atmosphere for many years. We recommend that you read this manual carefully before using the fireplace. If any problem arises despite our strict quality control, you can always contact your dealer or Glen Dimplex Benelux B.V.

**For any warranty claims, it is essential you first register your fireplace. During this registration, you'll find all information regarding our warranty.**

➤ **Please note!**

The details of your fireplace can be found in the user manual.

You can register your fire at: [www.faberfires.com](http://www.faberfires.com)

Glen Dimplex Benelux B.V.  
Address: Saturnus 8  
NL-8448 CC  
Heerenveen  
Tel: +31 (0)513 656 500  
Email: [contact@faberfires.com](mailto:contact@faberfires.com)  
Info: [www.faberfires.com](http://www.faberfires.com)

### 1.1 Introduction

Installation and maintenance of the appliance must be carried out by a professional with proven knowledge and competence. A professional takes into account all technical aspects such as heat radiation and gas connection as well as flue gas exhaust requirements.

Where the installation instructions are not clear, national/local regulations must be followed.

### 1.2 Check

Check the fireplace for transport damage and immediately report any damage to your supplier.

### 1.3 CE Declaration

We hereby declare that Glen Dimplex Benelux B.V. released Faber gas-atmosphere heating appliance by its design and construction method complies with the Regulation (EU): 2016/426 and (EU) 2015/1188.

Product: gas atmosphere heater  
Model: MatriX 800/400 I,II,III  
MatriX 1050/400 I,II,III  
MatriX 1300/400 I,II,III

This statement loses its validity if without written permission from Glen Dimplex Benelux B.V. changes are made to the device.

## 2 Safety instructions

➤ **Please note!**

It is advisable to always install a screen for the fireplace if children, elderly or disabled people are present in the same room as the fireplace. **If regularly vulnerable persons can be present in the room without supervision, sufficient protection must always be placed around the fireplace.**

- This appliance must be installed according with the rules in force and used only in a sufficiently space.
- The appliance must be checked annually in accordance with this installation manual and the applicable national and local regulations.
- Ensure that the data on the type label matches the local gas type and pressure.
- The appliance is designed for atmosphere and heating purposes. This means that all visible surfaces, including the glass, can become hotter than 100°C.
- Do not use the remote control and / or app outside the room where the fire is located. So that you are always aware of the situation around the fireplace when it is being operated.
- The settings and the construction of the fireplace must not be changed!
- Do not place extra imitation wood or other material on the burner or in the combustion chamber.
- Do not place any combustible materials within 0,5m of the radiation area of the fire.
- Through the natural air circulation of the fireplace moisture and uncured volatile components from paint, building materials and carpeted floors, etc. are attracted. These parts can settle as soot on cold surfaces. Therefore do not light the fireplace shortly after installation.

### 2.1 Using the fire for the first time

Provide extra ventilation and open all the windows of the room during the initial start-up of the fire. Let the fire burn at the highest setting for a few hours so that the paint gets the chance to harden and any released vapours are safely removed. Keep vulnerable people and pets out of this room during this process.





### 3 Installation requirements

#### 3.1 Appliance

- This appliance may not be installed in a chlorine-containing environment. (Pools etc.)
- This appliance must be built into an existing or new false chimney.
- For transport reasons, for appliances with flexible gas pipes, the control unit (Fig. 1.3) is mounted at the bottom of the crate. Detach and mount it together with the Control box and Remote access door in as low as possible position in the false chimney. (see supplied instruction manual, 40011721).  
*(To prevent damage to cables and pipes during transport, they are bound together by tie wraps. Remove these to ensure proper operation of the appliance.)*
- If desired, a 2 meter pipe set is available (article number 20901530).  
The MatriX 1300/400 comes standard with a 2m pipe set.

#### 3.2 False chimney

- The false chimney should be of non-combustible material.
- The space above the fire should always be ventilated using grids with minimal free passage of 200cm<sup>2</sup> per grid.
- Use for finishing special decorative plaster (min. 100°C resistant) or fiberglass wallpaper to prevent discoloration and cracks etc., minimum drying time 24 hours per mm applied finish.
- The false chimney construction should not rest on the build-in frame of the fireplace.

#### 3.3 Discharge and outlet requirements

First, carry out a flue calculation (see chapter 11) and place the right flue restrictor before installing the outlet! (Generally a 30mm flue restrictor is installed).

- For supply and discharge always use the prescribed and to be supplied Faber flue materials. Please contact Glen Dimplex Benelux B.V. Only with use of these materials Faber can guarantee proper performance.
- The distance to combustible materials must be min. 50mm, calculated from outside of the flue material (EN 1856-1 T600 N1 D VM – L20040 O(50)).

The balanced flue pipe for combined air supply and discharge can use a wall terminal or a roof terminal. Verify that the desired outlet meets the local regulations regarding pollution and ventilation openings.

#### ➤ Please note!

For proper functioning, the outlet must at least be 0,5m away from:

- Corners of the building;
- Roof overhangs and balconies;
- Roof edges (with the exception of the ridge edge, see chapter 15).

#### **C11, outlet via facade**

Through a wall or façade, use a Faber wall outlet. Depending on the flue calculation this can be 100/150mm or 130/200mm.

#### **C31, outlet via roof**

For a (flat) roof, use a Faber roof outlet with a diameter of 100/150mm.

#### **C91, existing chimney**

For an existing chimney, use a Faber chimney outlet with a diameter of 100/150mm.

In this case the existing chimney acts as air inlet an inserted flexible stainless steel pipe discharges the flue gas. The top (Faber chimney cover plate) and the bottom (Faber chimney connection set) should be airtight.

**Depending on the calculated flue diameter, you must use a flexible stainless steel pipe of Ø100mm (article number AJ005503) or Ø130mm (article number AJ005603) as specified by Faber. For this, contact Glen Dimplex Benelux B.V.**

#### ➤ Please note!

- The minimum chimney diameter for a 130mm flexible stainless steel pipe must be 200x200mm and for a 100mm flexible stainless steel pipe and 150x150mm.
- Don't connect more than one fire at the existing chimney.
- The chimney must be in good condition:
  - No leakage;
  - Well cleaned.

For more information about the connections to existing chimney ducts, please request the installation instructions "Chimney Connection Set".

Outlets (fig. 1.5)



## 4 Preparation and installation instructions

### 4.1 Gas connection

The gas connection must comply with the applicable local standards.

➤ **Please note!**

- Provide a flexible gas connection with at least 0,5m extra length, so that the control unit can be removed for installation and service!
- Calculate the gas pipe so that no pressure drop occurs.

We advise using a gas connection directly from the gas meter to the appliance, with a shut-off valve in the proximity of the appliance, which must always be freely accessible. Position the gas connection so that it is easily accessible for service and the burner unit can be disassembled at any time.

### 4.2 Electrical connection

Install a 230VAC/50Hz wall socket near the fireplace for connecting the Control box FAB1806.

See fig. 2.8 for the wiring diagram:

- A = I.T.C. (Intelligent Technical Controller)
- B = electronics
- C = gas valve
- D = solenoid valve
- E = ignition pin
- F = ionization pen
- G = connection cable
- H = configuration plug

### 4.3 Smart-Home installation

The controller can be connected to an external source, such as a Domotica system, by using a Faber Interface Unit (article number A9323000).

### 4.4 Preparing the fireplace

- Remove the fireplace from its packaging. Ensure that the gas supply pipes under the appliance are not damaged.
- Remove the glass and any mouldings, store them at a safe place and remove the packaged parts from the fireplace.
- Prepare the gas connection on the regulator.

### 4.5 Positioning the fireplace

Take the installation requirements into account (see chapter 3). Place the device in the right place and level it.

Rough height adjustment:

- With the adjustable (optional) legs.

Accurate height adjustment:

- With the adjustable feet.

### Hanging on the wall

The fireplace can also be mounted on the wall using the optional wall bracket set, see attachment 16.5 (article number A9322996-A9323196-A9325296). Therefore remove the existing brackets and use the supplied spacer for vertical alignment, see fig. 1.4.

### 4.6 Mounting flue gas exhaust materials

Assemble the flue gas exhaust materials according to the installation manual supplied with the flue gas exhaust material!

- The distance to combustible materials must be min. 50mm, calculated from outside of the flue material.
- Never start immediately with length-adjustable concentric flue material on the appliance.
- Horizontal sections should be installed to allow a slope towards the fireplace (3 degrees).
- Build the system from the fireplace. If this is not possible you can make use of an extendable adapter section.
- For fitting of the flue system, the 0,5m length-adjustable pipe must be used. Make sure that the inner pipe is always 15mm longer than the outer pipe. Wall- and roof terminal can also be cut. These components must be secured with a self-tapping screw.

### 4.7 Constructing the false chimney

Before positioning the false chimney, we advise to perform a functional test with the fireplace as defined in chapter 7 "Checking the installation".

#### False chimney

- Construct the false chimney of non-combustible material in combination with metal profiles or of masonry/concrete blocks.
- Always use a lintel or reinforcing bars while bricking the false chimney. They should not be placed directly on the fireplace.
- Make sure that the fireplace never functions as a load-bearing construction, because of the expansion of the fireplace through warmth.



## Ventilation

Correct ventilation prevents damaging overheating of the gas regulator block and its electronics and also limits the temperature of the convection air. Use the supplied Faber ventilation grids or a similar alternative with a minimum free passage of 200cm<sup>2</sup> per grid, in the space above the fire, when building the false chimney. Within the false chimney, a horizontal screen plate, made of non-combustible material, must be installed just above the ventilation openings. (see A in fig. 1.0, 1.1 or 1.2)

## Installation and finishing

### ➤ Please note!

- Take into account a minimum distance of 2 mm due to expansion of the fireplace.
- Take into account the thickness of any finishing layer!

### Method I: installation WITH cover strip (fig. 2.1)

The following points are of interest (fig. 2.2):

I = build-in frame  
J = distance profiles

- Build the false chimney against the build-in frame "I" and distance profiles "J"
- Do not build the false chimney (underneath the appliance) higher than the top of the distance profile "J" (fig. 2.3).

### Method II: installation WITHOUT cover strip (fig. 2.4)

### ➤ Please note!

At the MatriX front glass only versions, the cover strip is fixed by screws, remove those first! (fig. 2.5).

The following points are of interest (fig. 2.6 and 2.7):

K = build-in frame  
L = distance profiles  
M = glass supports  
N = top edge of the combustion chamber

- Remove all distance profiles "L".

### ➤ Please note!

Make sure that the screws of the front distance profile "L" will be replaced, in order to ensure the air tightness of the appliance.

- For the height of the plateau, see point "N" (fig. 2.6 and 2.7).
- Take into account a minimum distance of 2mm between plateau and glass support "M" due to expansion of the fireplace (fig. 2.7).

## 5 Removing glass

### 5.1 Front glass

#### MatriX I:

- Disassemble cover strip "A" on both sides (fig. 3.0).
- Rotate clamp "B" clockwise on both sides (fig. 3.0).
- Place the suction cups on the glass, slide frame "C" upwards and disassemble the front glass (fig. 3.1).

For replacing the glass repeat the steps in reverse order.

### ➤ Please note!

Avoid fingerprints on the glass; these are no longer removable once the fire is used.

#### MatriX II:

- Disassemble cover strip "A" (fig. 3.0).
- Rotate clamp "B" clockwise (fig. 3.0).
- Place the suction cups on the glass and slide frame "C" upwards (fig. 3.2).
- Disassemble the front glass (fig. 3.3).

For replacing the glass repeat the steps in reverse order.

### ➤ Please note!

Avoid fingerprints on the glass; these are no longer removable once the fire is used.

#### MatriX III:

- Place the suction cups on the glass and slide frame "C" upwards (fig. 3.4).
- Disassemble the front glass (fig. 3.5)

For replacing the glass repeat the steps in reverse order.

### ➤ Please note!

Avoid fingerprints on the glass; these are no longer removable once the fire is used.



## 5.2 Side glass

For cleaning only it's not necessary to remove the side glass.

### MatriX II and III:

- Remove the front glass (chapter 5.1)
- Remove the glass strip at the top (fig. 3.6 and 3.7).
- Place a suction cup and remove the side glass (fig. 3.8).

For replacing the glass repeat the steps in reverse order.

### ➤ **Please note!**

Avoid fingerprints on the glass; these are no longer removable once the fire is used.

## 6 Placing decoration material

### ➤ **Please note!**

- Place the supplied ionization cover at the burner (see fig. 4a, b and c).
- Place the inspection hatch "A" supplied (see fig. 4.1).
- Does not apply to MatriX I: place the supplied pad (s) "B" on the left and / or right (see fig. 4.1).
- It is not permitted to use other or to add more material in the combustion chamber.
- Do not throw the decoration material on the burner at once. it is possible that the burner gets clogged.

### 6.1 Log set

See the supplied decoration instruction card or chapter 17.1, 17.2 or 17.3:

- Distribute the black mini chips (MatriX 800/400 and 1050/400) or the charcoal (MatriX 1300/400) "A" on the burner only. Avoid a double layer!
- Place the logs.
- Divide the black and grey chips "B" around the burner.
- Keep ignition and ionization pin free of chips!

### **Glow fiber**

Glow fiber gives a decorative glow effect.

Pull the glow fiber apart and spread it between the logs on the burner.

### ➤ **Please note!**

Keep ignition and ionization pin free from glow fiber!

- Start the fire as described in the user manual.
- Assess whether the flame distribution is good. Move or remove any chips.
- Place the front glass and check the fire image.

### 6.2 Pebbles / Grey stones

See the supplied decoration instruction card or chapter 17.4 or 17.5:

- Divide the pebbles / grey stones over the entire bottom. Avoid a double layer!
- Start the fire as described in the user manual.
- Assess whether the flame distribution is good. Move or remove any chips.
- Place the front glass and check the fire image.

## 7 Checking the installation

### **Checking for gas leaks**

Check with a gas leak finder all connections and pipes for gas leakage.

### **Check primary pressure**

Check if the primary pressure correspond to the data on the rating plate.

### Measuring the primary pressure:

- Close the shutoff valve. Turn the measuring nipple "E" (fig. 1.3) a few turns to open and connect a measuring hose to the gas regulator.
- Take this measurement when the fireplace runs at high and low settings.
- Do not connect the unit if the pressure is too high ( $\pm 20\%$ ).

### ➤ **Please note!**

Close the pressure measuring nipple and check for gas leakage.

### **Check ignition and burner**

Ignite the fireplace by using the remote control as described in the user manual and test all burner possibilities.

Now repeat the above check by using the APP. (App set to Dealer level).

Check:

- the Actual measured values;
- the Diagnosis messages.



### 7.1 Checking the flame image

Let the fireplace burn for at least 20 minutes at highest setting and check the flame for:

- flame distribution;
- colour of the flames.

If one or both points are not acceptable then check:

- The position of the logs and/or the amount of chips/glass granulates.
- The pipe connections for leaks. (in case of blue flames);
- That the correct flue restrictor is fitted (see fig. 1.6-F);
- The outlet:
  - Wall terminal has the correct position and side up;
  - Roof terminal has the correct position.
- If the maximum lengths of the flue gas outlet is not exceeded.
- If possible, carry out a flue gas analysis (see chapter 7.2).

### 7.2 Flue gas analysis

It is possible to check the combustion gases and supply air with a CO/CO<sub>2</sub> flue gas analyser. There are two measuring pipes between the build-in frame and the front glass (fig. 2.0).

X = measuring pipe air supply  
Y = measuring pipe flue gas

The ratio CO<sub>2</sub> and CO must not be greater than 1:100.

#### Example:

CO<sub>2</sub> is 4% and CO is 400ppm measured at high altitude.

If the ratio is greater than 1: 100 or exhaust gases are measured in the supply air, check the points in Chapter 7.1.

## 8 Customer instruction

- Advise that the device must be checked annually by a qualified installer to ensure safe operation and a long service life.
- Give instructions about the operation of:
  - the device;
  - the remote control;
  - the App and its settings.
- Start the fire as described in the user manual.
- Assess whether the flame distribution is good. Move or remove any chips.

- Place the front glass and check the fire image.  
Provide advice and instruction on maintenance and cleaning of the glass:



- Emphasize the risk of fingerprint burn-in.
- Hand over to the customer the:
  - installation instructions;
  - user manual;
  - decoration instruction card;
  - suction cups;
  - Faber glass polish sample.

## 9 Annual maintenance

### Check

Check and clean if necessary:

- the combustion chamber;
- the burner;
- the wooden logs for breakage.
- the glass
- the outlet.

Replace chips if necessary.

### Cleaning

Remove the front glass (see Chapter 5).

You can clean the glass with Faber glass polish. This is a specially formulated cleaning agent that can be ordered at authorized Faber dealers. Never use aggressive cleaning agents or abrasive products.

#### ➤ Please note!

Avoid fingerprints on the glass; these are no longer removable once the fire is used.

Now carry out check-up as described in Chapter 7.

For an extensive maintenance instruction "maintenance protocol for gas fires" see:





## 10 Conversion to other gas types

This can only be done by replacing the burner. To do so, please contact your dealer. Always provide the type and serial number of the appliance when ordering.

## 11 Flue calculation

A simple way to calculate whether the exhaust configuration is possible in combination with your fireplace, use the “Faber Flue App V2”:



This is available free of charge and can be downloaded via:

### Internet:

Android and PC (Windows Store, (Windows 10)).

### App Store:

iPhone, iPad and Mac.

### Google Play:

Android smart phones and Android tablets.

Alternatively, you can use the calculation sheet (see Chapter 13).

The options for flue lengths and any flue restrictors are defined in a restrictor table, see 11.1 till 11.5. Start Length (STL), Total Vertical Height (TVH) and Total Horizontal Length (THL) are used in the table.

- **Start length (STL):**  
The first part that is placed on the fireplace and represents a certain value (fig. 12.1, 12.2 and 12.3 A, N and F). You can find this value in the upper row of the restrictor table.
- **Total Vertical Height (TVH):**  
TVH is the height difference measured from the top of the appliance to the outlet. This can be measured or determined in the building plan. For clarification, see also the TVH indication in the drawings (fig. 12.1, 12.2 and 12.3).
- **Total Horizontal Length (THL):**  
THL is the Total Horizontal Length and consists of elbows and pipes entirely in

the horizontal plane. See elbows I, K and Q and the elements H, J, L, M, P and R (Fig. 12.1 and 12.2).

- **Horizontal length:**  
The Horizontal Length consists of the elements H, J, L, M, P and R (fig. 12.1 and 12.2).
- **Elbows 90° in the horizontal plane:**  
Horizontal elbows are elbows entirely in the horizontal plane (Fig. 12.1, 12.2 and 12.3 I, K and Q).
- **Elbows 45° or 30° in the horizontal plane.**  
Horizontal elbows are elbows entirely in the horizontal plane.
- **Elbows 90° vertical to horizontal:**  
These are 90° elbows, which proceed from horizontal to vertical (Fig. 12.2 and 12.3 G, O and S).
- **Elbows 45° or 30° vertical to horizontal plane:**  
These are 30° or 45° elbows vertically offset less than 45° (Fig. 12.1 B and D).
- **Pipes at an angle of inclination:**  
These are pipes vertically ascending at an angle of 30° or 45° (Fig. 12.1 C). Fill in only in combination with at least two 30° or 45° elbows in the vertical part.
- **Restrictor table:**  
See restrictor table for the correct vertical (TVH) and horizontal length (THL).

In case of an “X” or if the values are outside the restrictor table, the combination is not permitted. Then adjust TVH or THL.

If a value is indicated, check that the calculated STL value is not lower than indicated in the restrictor table. In this case STL must be adjusted.

The value found indicates the width of the flue restrictor to be placed (“0” means no flue restrictor). Generally a 30mm flue restrictor is installed (fig. 1.6 F), first remove hatch “G”.

### 11.1 Restrictor table (100/150) MatriX 800/400 I,II,III

Start length (STL) Vertical (TVH) and Horizontal (THL)

STL	0,5	1	1	1	1	1	1				
THL	0	1	2	3	4	5	6	7	8	9	10
TVH	0	x	x	x	x	x	x	x	x	x	x
	0,5	x	x	x	x	x	x	x	x	x	x
	1	0,2	0,2	0,2	x	x	x	x	x	x	x
	1,5	0,2	0,2	0,2	0,2	0,2	x	x	x	x	x
	2	30,2	0,2	0,2	0,2	0,2	0,2	x	x	x	x
	3	40,2	30,2	0,2	0,2	0,2	0,2	0,2	x	x	x
	4	40,2	40,2	30,2	0,2	0,2	0,2	0,2	x	x	x
	5	45,2	40,2	40,2	30,2	0,2	0,2	0,2	x	x	x
	6	45,2	45,2	40,2	40,2	30,2	0,2	0,2	x	x	x
	7	50,2	45,2	45,2	40,2	40,2	30,2	0,2	x	x	x
	8	50,2	50,2	45,2	45,2	40,2	40,2	30,2	x	x	x
	9	60,2	50,2	50,2	45,2	40,2	40,2	40,2	x	x	x
	10	60,2	60,2	50,2	50,2	45,2	40,2	40,2	x	x	x
	11	70,2	60,2	60,2	50,2	45,2	45,2	40,2	x	x	x
	12	70,2	70,2	60,2	60,2	50,2	45,2	40,2	x	x	x
	13	70,2	70,2	70,2	60,2	50,2	50,2	45,2	x	x	x
	14	80,2	70,2	70,2	70,2	60,2	50,2	45,2	x	x	x
	15	80,2	80,2	70,2	70,2	60,2	50,2	45,2	x	x	x
	16	80,2	80,2	80,2	70,2	60,2	50,2	45,2	x	x	x
	17	80,2	80,2	80,2	80,2	60,2	60,2	50,2	x	x	x
	18	80,2	80,2	80,2	80,2	60,2	60,2	50,2	x	x	x
	19	80,2	80,2	80,2	80,2	70,2	60,2	50,2	x	x	x
	20	80,2	80,2	80,2	80,2	70,2	60,2	50,2	x	x	x
	21	80,2	80,2	80,2	80,2	70,2	60,2	50,2	x	x	x
	22	80,2	80,2	80,2	80,2	70,2	60,2	50,2	x	x	x
	23	80,2	80,2	80,2	80,2	70,2	70,2	60,2	x	x	x
	24	80,2	80,2	80,2	80,2	80,2	70,2	60,2	x	x	x
	25	80,2	80,2	80,2	80,2	80,2	70,2	x	x	x	x
	26	80,2	80,2	80,2	80,2	80,2	x	x	x	x	x
	27	80,2	80,2	80,2	80,2	x	x	x	x	x	x
28	80,2	80,2	80,2	x	x	x	x	x	x	x	
29	80,2	80,2	x	x	x	x	x	x	x	x	
30	80,2	x	x	x	x	x	x	x	x	x	

## 11.2 Restrictor table (130/200) MatriX 800/400 I,II,III

Start length (STL) Vertical (TVH) and Horizontal (THL)

STL	0,3	0,5	1	1	1	1	1	1			
THL	0	1	2	3	4	5	6	7	8	9	10
TVH	0	x	x	x	x	x	x	x	x	x	x
	0,5	x	30,4	0,4	x	x	x	x	x	x	x
	1	x	x	x	30,4	0,4	0,4	0,4	0,4	x	x
	1,5	x	x	x	x	30,4	0,4	0,4	0,4	x	x
	2	x	x	x	x	30,4	30,4	0,4	0,4	x	x
	3	x	x	x	x	x	x	x	0,4	x	x
	4	x	x	x	x	x	x	x	30,4	x	x
	5	x	x	x	x	x	x	x	30,4	x	x
	6	x	x	x	x	x	x	x	40,4	x	x
	7	x	x	x	x	x	x	x	40,4	x	x
	8	x	x	x	x	x	x	x	45,4	x	x
	9	x	x	x	x	x	x	x	45,4	x	x
	10	x	x	x	x	x	x	x	45,4	x	x
	11	x	x	x	x	x	x	x	50,4	x	x
	12	x	x	x	x	x	x	x	50,4	x	x
	13	x	x	x	x	x	x	x	50,4	x	x
	14	x	x	x	x	x	x	x	60,4	x	x
	15	x	x	x	x	x	x	x	60,4	x	x
	16	x	x	x	x	x	x	x	60,4	x	x
	17	x	x	x	x	x	x	x	60,4	x	x
	18	x	x	x	x	x	x	x	60,4	x	x
	19	x	x	x	x	x	x	x	60,4	x	x
	20	x	x	x	x	x	x	x	60,4	x	x
	21	x	x	x	x	x	x	x	60,4	x	x
	22	x	x	x	x	x	x	x	60,4	x	x
	23	x	x	x	x	x	x	x	60,4	x	x
	24	x	x	x	x	x	x	x	x	x	x
	25	x	x	x	x	x	x	x	x	x	x
	26	x	x	x	x	x	x	x	x	x	x
	27	x	x	x	x	x	x	x	x	x	x
	28	x	x	x	x	x	x	x	x	x	x
29	x	x	x	x	x	x	x	x	x	x	
30	x	x	x	x	x	x	x	x	x	x	



### 11.3 Restrictor table (100/150) NG MatriX 1050/400 I,II,III

Start length (STL) Vertical (TVH) and Horizontal (THL)

STL	0,5	1	1	1	1	1	1				
THL	0	1	2	3	4	5	6	7	8	9	10
TVH	0	x	x	x	x	x	x	x	x	x	x
	0,5	x	x	x	x	x	x	x	x	x	x
	1	0,2	0,2	0,2	x	x	x	x	x	x	x
	1,5	0,2	0,2	0,2	0,2	0,2	x	x	x	x	x
	2	30,2	0,2	0,2	0,2	0,2	0,2	x	x	x	x
	3	40,2	30,2	0,2	0,2	0,2	0,2	0,2	x	x	x
	4	45,2	40,2	30,2	0,2	0,2	0,2	0,2	x	x	x
	5	50,2	45,2	40,2	30,2	0,2	0,2	0,2	x	x	x
	6	60,2	50,2	45,2	40,2	30,2	0,2	0,2	x	x	x
	7	70,2	60,2	50,2	45,2	40,2	30,2	0,2	x	x	x
	8	70,2	70,2	60,2	50,2	45,2	40,2	30,2	x	x	x
	9	70,2	70,2	70,2	60,2	50,2	45,2	30,2	x	x	x
	10	70,2	70,2	70,2	70,2	60,2	45,2	40,2	x	x	x
	11	70,2	70,2	70,2	70,2	70,2	45,2	40,2	x	x	x
	12	80,2	70,2	70,2	70,2	70,2	50,2	45,2	x	x	x
	13	80,2	80,2	70,2	70,2	70,2	50,2	45,2	x	x	x
	14	80,2	80,2	80,2	70,2	70,2	50,2	50,2	x	x	x
	15	80,2	80,2	80,2	70,2	70,2	50,2	50,2	x	x	x
	16	80,2	80,2	80,2	70,2	70,2	60,2	50,2	x	x	x
	17	80,2	80,2	80,2	80,2	70,2	60,2	60,2	x	x	x
	18	80,2	80,2	80,2	80,2	70,2	60,2	60,2	x	x	x
	19	80,2	80,2	80,2	80,2	70,2	70,2	60,2	x	x	x
	20	80,2	80,2	80,2	80,2	70,2	70,2	60,2	x	x	x
	21	80,2	80,2	80,2	80,2	70,2	70,2	60,2	x	x	x
	22	80,2	80,2	80,2	80,2	70,2	70,2	60,2	x	x	x
	23	80,2	80,2	80,2	80,2	80,2	70,2	60,2	x	x	x
	24	80,2	80,2	80,2	80,2	80,2	70,2	60,2	x	x	x
	25	80,2	80,2	80,2	80,2	80,2	70,2	x	x	x	x
	26	80,2	80,2	80,2	80,2	80,2	x	x	x	x	x
	27	80,2	80,2	80,2	80,2	x	x	x	x	x	x
28	80,2	80,2	80,2	x	x	x	x	x	x	x	
29	80,2	80,2	x	x	x	x	x	x	x	x	
30	80,2	x	x	x	x	x	x	x	x	x	

#### 11.4 Restrictor table (100/150) LPG MatriX 1050/400 I,II,III

Start length (STL) Vertical (TVH) and Horizontal (THL)

STL	0,5	1	1	1	1	1	1				
THL	0	1	2	3	4	5	6	7	8	9	10
TVH	0	x	x	x	x	x	x	x	x	x	x
	0,5	x	x	x	x	x	x	x	x	x	x
	1	0,2	0,2	x	x	x	x	x	x	x	x
	1,5	0,2	0,2	0,2	x	x	x	x	x	x	x
	2	30,2	0,2	0,2	0,2	x	x	x	x	x	x
	3	40,2	30,2	0,2	0,2	0,2	x	x	x	x	x
	4	45,2	40,2	30,2	0,2	0,2	0,2	x	x	x	x
	5	50,2	45,2	40,2	30,2	0,2	0,2	0,2	x	x	x
	6	60,2	50,2	45,2	40,2	30,2	0,2	0,2	x	x	x
	7	70,2	60,2	50,2	45,2	40,2	30,2	0,2	x	x	x
	8	70,2	70,2	60,2	50,2	45,2	40,2	30,2	x	x	x
	9	70,2	70,2	70,2	60,2	50,2	45,2	30,2	x	x	x
	10	70,2	70,2	70,2	70,2	60,2	45,2	40,2	x	x	x
	11	70,2	70,2	70,2	70,2	70,2	45,2	40,2	x	x	x
	12	80,2	70,2	70,2	70,2	70,2	50,2	45,2	x	x	x
	13	80,2	80,2	70,2	70,2	70,2	50,2	45,2	x	x	x
	14	80,2	80,2	80,2	70,2	70,2	50,2	45,2	x	x	x
	15	80,2	80,2	80,2	70,2	70,2	50,2	45,2	x	x	x
	16	80,2	80,2	80,2	70,2	70,2	60,2	50,2	x	x	x
	17	80,2	80,2	80,2	80,2	70,2	60,2	50,2	x	x	x
	18	80,2	80,2	80,2	80,2	70,2	60,2	50,2	x	x	x
	19	80,2	80,2	80,2	80,2	70,2	70,2	50,2	x	x	x
	20	80,2	80,2	80,2	80,2	70,2	70,2	60,2	x	x	x
	21	80,2	80,2	80,2	80,2	70,2	70,2	60,2	x	x	x
	22	80,2	80,2	80,2	80,2	70,2	70,2	60,2	x	x	x
	23	80,2	80,2	80,2	80,2	80,2	70,2	60,2	x	x	x
	24	80,2	80,2	80,2	80,2	80,2	70,2	60,2	x	x	x
	25	80,2	80,2	80,2	80,2	80,2	70,2	x	x	x	x
	26	80,2	80,2	80,2	80,2	80,2	x	x	x	x	x
	27	80,2	80,2	80,2	80,2	x	x	x	x	x	x
28	80,2	80,2	80,2	x	x	x	x	x	x	x	
29	80,2	80,2	x	x	x	x	x	x	x	x	
30	80,2	x	x	x	x	x	x	x	x	x	

### 11.5 Restrictor table (130/200) NG MatriX 1050/400 I,II,III

Start length (STL) Vertical (TVH) and Horizontal (THL)

STL	0,3	0,5	1	1	1	1	1	1			
THL	0	1	2	3	4	5	6	7	8	9	10
TVH	0	x	x	x	x	x	x	x	x	x	x
	0,5	x	30,4	0,4	x	x	x	x	x	x	x
	1	x	x	x	30,4	30,4	0,4	0,4	0,4	x	x
	1,5	x	x	x	x	x	0,4	0,4	0,4	x	x
	2	x	x	x	x	x	x	0,4	0,4	x	x
	3	x	x	x	x	x	x	x	0,4	x	x
	4	x	x	x	x	x	x	x	30,4	x	x
	5	x	x	x	x	x	x	x	30,4	x	x
	6	x	x	x	x	x	x	x	40,4	x	x
	7	x	x	x	x	x	x	x	40,4	x	x
	8	x	x	x	x	x	x	x	50,4	x	x
	9	x	x	x	x	x	x	x	50,4	x	x
	10	x	x	x	x	x	x	x	50,4	x	x
	11	x	x	x	x	x	x	x	50,4	x	x
	12	x	x	x	x	x	x	x	60,4	x	x
	13	x	x	x	x	x	x	x	60,4	x	x
	14	x	x	x	x	x	x	x	60,4	x	x
	15	x	x	x	x	x	x	x	60,4	x	x
	16	x	x	x	x	x	x	x	60,4	x	x
	17	x	x	x	x	x	x	x	60,4	x	x
	18	x	x	x	x	x	x	x	60,4	x	x
	19	x	x	x	x	x	x	x	60,4	x	x
	20	x	x	x	x	x	x	x	60,4	x	x
	21	x	x	x	x	x	x	x	60,4	x	x
	22	x	x	x	x	x	x	x	60,4	x	x
	23	x	x	x	x	x	x	x	60,4	x	x
	24	x	x	x	x	x	x	x	x	x	x
	25	x	x	x	x	x	x	x	x	x	x
	26	x	x	x	x	x	x	x	x	x	x
	27	x	x	x	x	x	x	x	x	x	x
	28	x	x	x	x	x	x	x	x	x	x
29	x	x	x	x	x	x	x	x	x	x	
30	x	x	x	x	x	x	x	x	x	x	

### 11.6 Restrictor table (130/200) LPG *Matrix 1050/400 I,II,III*

Start length (STL) Vertical (TVH) and Horizontal (THL)

STL	0,3	0,5	1	1	1	1	1	1			
THL	0	1	2	3	4	5	6	7	8	9	10
TVH	0	x	x	x	x	x	x	x	x	x	x
	0,5	x	30,4	0,4	x	x	x	x	x	x	x
	1	x	x	30,4	30,4	30,4	0,4	0,4	0,4	x	x
	1,5	x	x	x	30,4	30,4	0,4	0,4	0,4	x	x
	2	x	x	x	x	30,4	30,4	0,4	0,4	x	x
	3	x	x	x	x	x	30,4	30,4	0,4	x	x
	4	x	x	x	x	x	x	30,4	30,4	x	x
	5	x	x	x	x	x	x	x	30,4	x	x
	6	x	x	x	x	x	x	x	40,4	x	x
	7	x	x	x	x	x	x	x	40,4	x	x
	8	x	x	x	x	x	x	x	50,4	x	x
	9	x	x	x	x	x	x	x	50,4	x	x
	10	x	x	x	x	x	x	x	50,4	x	x
	11	x	x	x	x	x	x	x	50,4	x	x
	12	x	x	x	x	x	x	x	60,4	x	x
	13	x	x	x	x	x	x	x	60,4	x	x
	14	x	x	x	x	x	x	x	60,4	x	x
	15	x	x	x	x	x	x	x	60,4	x	x
	16	x	x	x	x	x	x	x	60,4	x	x
	17	x	x	x	x	x	x	x	60,4	x	x
	18	x	x	x	x	x	x	x	60,4	x	x
	19	x	x	x	x	x	x	x	60,4	x	x
	20	x	x	x	x	x	x	x	60,4	x	x
	21	x	x	x	x	x	x	x	60,4	x	x
	22	x	x	x	x	x	x	x	60,4	x	x
	23	x	x	x	x	x	x	x	60,4	x	x
	24	x	x	x	x	x	x	x	x	x	x
	25	x	x	x	x	x	x	x	x	x	x
	26	x	x	x	x	x	x	x	x	x	x
	27	x	x	x	x	x	x	x	x	x	x
	28	x	x	x	x	x	x	x	x	x	x
29	x	x	x	x	x	x	x	x	x	x	
30	x	x	x	x	x	x	x	x	x	x	

### 11.7 Restrictor table (100/150) MatriX 1300/400 I,II,III

Start length (STL) Vertical (TVH) and Horizontal (THL)

STL	0,2	0,5	1	1	1	1	1	1	1		
THL	0	1	2	3	4	5	6	7	8		
TVH	0	x	x	x	x	x	x	x	x		
	0,5	x	x	x	x	x	x	x	x		
	1	x	x	x	x	x	x	x	x		
	1,5	x	x	x	x	x	x	x	x		
	2	0,2	x	x	x	x	x	x	x		
	3	30,2	x	x	x	x	x	x	x		
	4	40,2	x	x	x	x	x	x	x		
	5	40,2	x	x	x	x	x	x	x		
	6	45,2	x	x	x	x	x	x	x		
	7	45,2	x	x	x	x	x	x	x		
	8	45,2	x	x	x	x	x	x	x		
	9	45,2	x	x	x	x	x	x	x		
	10	50,2	x	x	x	x	x	x	x		
	11	50,2	x	x	x	x	x	x	x		
	12	50,2	x	x	x	x	x	x	x		
	13	60,2	x	x	x	x	x	x	x		
	14	60,2	x	x	x	x	x	x	x		
	15	60,2	x	x	x	x	x	x	x		
	16	70,2	x	x	x	x	x	x	x		
	17	70,2	x	x	x	x	x	x	x		
	18	70,2	x	x	x	x	x	x	x		
	19	80,2	x	x	x	x	x	x	x		
	20	80,2	x	x	x	x	x	x	x		
	21	80,2	x	x	x	x	x	x	x		
	22	80,2	x	x	x	x	x	x	x		
	23	80,2	x	x	x	x	x	x	x		
	24	80,2	x	x	x	x	x	x	x		
	25	80,2	x	x	x	x	x	x	x		
	26	80,2	x	x	x	x	x	x	x		
	27	80,2	x	x	x	x	x	x	x		
	28	80,2	x	x	x	x	x	x	x		
29	80,2	x	x	x	x	x	x	x			
30	80,2	x	x	x	x	x	x	x			

### 11.8 Restrictor table (130/200) Matrix 1300/400 I,II,III

Start length (STL) Vertical (TVH) and Horizontal (THL)

STL	0,2	0,5	1	1	1	1	1	1	1	1		
THL	0	1	2	3	4	5	6	7	8			
TVH	0	x	x	x	x	x	x	x	x	x		
	0,5	x	x	x	x	x	x	x	x	x		
	1	x	30,4	0,4	0,4	0,4	0,4	0,4	0,4	x		
	1,5	x	40,4	30,4	0,4	0,4	0,4	0,4	0,4	x		
	2	x	40,4	40,4	30,4	0,4	0,4	0,4	0,4	x		
	3	x	40,4	40,4	40,4	30,4	0,4	0,4	0,4	x		
	4	x	45,4	40,4	40,4	40,4	30,4	0,4	0,4	x		
	5	x	45,4	45,4	40,4	40,4	40,4	30,4	0,4	x		
	6	x	45,4	45,4	45,4	40,4	40,4	40,4	30,4	x		
	7	x	50,4	45,4	45,4	45,4	40,4	40,4	40,4	x		
	8	x	50,4	50,4	45,4	45,4	45,4	40,4	40,4	x		
	9	x	50,4	50,4	50,4	45,4	45,4	40,4	40,4	x		
	10	x	60,4	50,4	50,4	50,4	45,4	40,4	40,4	x		
	11	x	60,4	60,4	50,4	50,4	50,4	45,4	40,4	x		
	12	x	60,4	60,4	60,4	50,4	50,4	45,4	40,4	x		
	13	x	70,4	60,4	60,4	60,4	50,4	45,4	40,4	x		
	14	x	70,4	70,4	60,4	60,4	60,4	50,4	45,4	x		
	15	x	70,4	70,4	70,4	60,4	60,4	50,4	45,4	x		
	16	x	70,4	70,4	70,4	70,4	60,4	50,4	45,4	x		
	17	x	70,4	70,4	70,4	70,4	60,4	60,4	45,4	x		
	18	x	80,4	70,4	70,4	70,4	70,4	60,4	45,4	x		
	19	x	80,4	80,4	70,4	70,4	70,4	60,4	50,4	x		
	20	x	85,4	80,4	80,4	70,4	70,4	60,4	50,4	x		
	21	x	85,4	85,4	80,4	80,4	70,4	60,4	50,4	x		
	22	x	85,4	85,4	80,4	80,4	70,4	60,4	50,4	x		
	23	x	85,4	85,4	80,4	80,4	70,4	60,4	50,4	x		
	24	x	85,4	85,4	80,4	80,4	70,4	60,4	x	x		
	25	x	85,4	85,4	80,4	80,4	70,4	x	x	x		
	26	x	85,4	85,4	80,4	80,4	x	x	x	x		
	27	x	85,4	85,4	80,4	x	x	x	x	x		
	28	x	85,4	85,4	x	x	x	x	x	x		
29	x	85,4	x	x	x	x	x	x	x			
30	x	x	x	x	x	x	x	x	x			

## 12 Examples flue materials

fig. 12.1

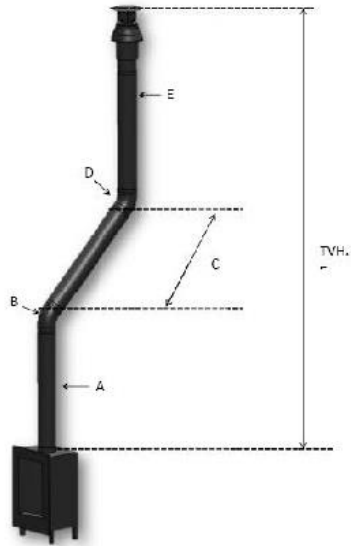


fig.12.2

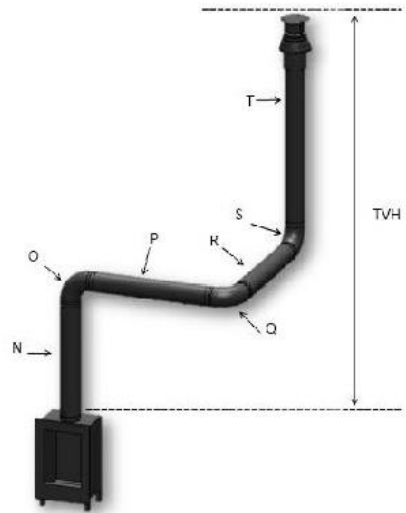
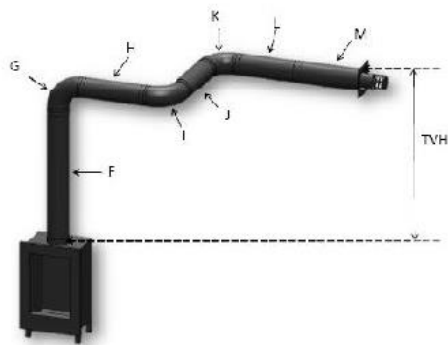


fig. 12.3



### 13 Calculation sheet

Starter length (STL)					
<b>First part on top of the appliance</b>			<b>Value</b>	<b>Value</b>	
Flue length from 0,1m till 0,45m			<b>0,2</b>		
Flue length from 0,5m till 0,90m			<b>0,5</b>		
Flue length from 1m till 1,4m			<b>1</b>		
Flue length from 1,5m till 2m			<b>1,5</b>		
Flue length 2m or more			<b>2</b>		
Bend 90°			<b>0,1</b>		
Bend 45°, 30° or 15°			<b>0,2</b>		
Roof terminal			<b>1</b>		
Wall terminal			<b>0</b>		
					.....
Total Vertical Height (TVH)					
<b>measured height</b>				<b>rounded value</b>	
..... meter				..... meter	
Total Horizontal Length (THL)					
Calculation					
Part	number	x	value	result	<b>rounded value</b>
Total Length in meters	.....	x	<b>1</b>	.....	
90° Bend, vertical to horizontal	.....	x	<b>0,4</b>	.....	
45° Bend, vertical to horizontal	.....	x	<b>0,2</b>	.....	
90° Bend in horizontal direction	.....	x	<b>1,5</b>	.....	
45° Bend in horizontal direction	.....	x	<b>1</b>	.....	
flue pipes at an angle in meters	.....	x	<b>0,7</b>	.....	
<b>Total</b>				.....+	..... meter



Search in the table at TVH and THL and enter the value that is found.		found value
		.....
If the detected value is a number, check whether the completed STL is higher or equal to the value in the table.		
Is the STL value lower as specified in the table then the installation is not possible. Solution: Start length to low, see for the minimum length in the top row of the table.		
Is the found value X, then the installation is not possible. Solution: Change the TVH or THL.		
<b>Results</b>		
Restrictor size = Value for the comma		..... mm
Extra information = Value behind the comma		mark
Install the air restrictor plate, see installation manual	0,1	<input type="checkbox"/>
Install adapter 100/150 direct on top of the fire	0,2	<input type="checkbox"/>
In case of wall terminal, install adapter 100/150 before the last bend, incase of roof terminal just before the terminal.	0,3	<input type="checkbox"/>
In case of roof terminal (always size 100/150) install the 100/150 adapter just before the terminal. Wall terminal 130/200	0,4	<input type="checkbox"/>
From the fire first an adjuster to 130/200 and 1 meter 130/200, after that reduce to 100/150 and everything 100/150.	0,5	<input type="checkbox"/>

## 14 Technical data

### 14.1 MatriX 800/400 I,II,III

Technical data						
Type indication(s)	MatriX 800/400 I,II,III					
Type appliance	C11/C31/C91					
Diameter outlet/inlet	130/200					
Gas connection	3/8"					
Indirect heating functionality	no					
Category	II2H3P					
	Symbol					Unit
Reference gas/inlet pressure		G20-20		G31-37		mbar
Emissions in space heating	NOx	74		62		mg/kWh <sub>input</sub> (GVC)
Direct heating output						
Nominal heat output	P <sub>nom</sub>	7,1		7,1		kW
Minimum heat output (indicative)	P <sub>min</sub>	2,5		2,5		kW
Useful efficiency (NCV)						
At nominal heat output	η <sub>th, nom</sub>	89,4		89,3		%
At minimum heat output (indicative)	η <sub>th, min</sub>	85,6		85,3		%
Appliance input data						
Input	Hi	7,9		7,9		kW
Gas rate at full mark		0,83		0,32		m <sup>3</sup> /h
				0,61		kg/h
Burner pressure at full mark		10,5		20,5		mbar
Power requirement for permanent pilot light						
Power requirement for permanent pilot light (if applicable)	P <sub>pilot</sub>	0		0		kW
Additional electricity consumption						
At nominal heat output	el <sub>max</sub>	0,016		0,016		kW
At minimum heat output	el <sub>min</sub>	0,012		0,012		kW
In standby mode	el <sub>sb</sub>	0,0037		0,0037		kW
Energy-efficiency						
Energy-efficiency class		B		B		
Energy-efficiency index	EEl	88		88		
Type heating output/control room temperature			Other control options			
One step heat output, no control of room temperature	no	Control of room temperature, with presence detection				no
Two or more manually adjustable stages, no control of room temperature	no					
With mechanical control of the room temperature by thermostat	no	Control of room temperature, with open window detection				yes
With electronic control of the room temperature	no					
With electronic control of the room temperature plus day-time switch	no	With optional remote control				yes
With electronic control of the room temperature plus week-time switch	yes					
Glen Dimplex Benelux Saturnus 8 Heerenveen The Netherlands						

## 14.2 Matrix 1050/400 I,II,III

Technical data						
Type indication(s)	Matrix 1050/400 I,II,III					
Type appliance	C11/C31/C91					
Diameter outlet/inlet	130/200					
Gas connection	3/8"					
Indirect heating functionality	no					
Category	II2H3P					
	Symbol					Unit
Reference gas/inlet pressure			G20-20		G31-37	mbar
Emissions in space heating	NOx		68		80	mg/kWh <sub>input</sub> (GVC)
Direct heating output						
Nominal heat output	P <sub>nom</sub>		8,7		8,8	kW
Minimum heat output (indicative)	P <sub>min</sub>		3,0		3,1	kW
Useful efficiency (NCV)						
At nominal heat output	η <sub>th,nom</sub>		90,8		88,1	%
At minimum heat output (indicative)	η <sub>th,min</sub>		85,1		79,6	%
Appliance input data						
Input	Hi		9,6		10,0	kW
Gas rate at full mark			1,00		0,40	m <sup>3</sup> /h
					0,77	kg/h
Burner pressure at full mark			9,5		25,0	mbar
Power requirement for permanent pilot light						
Power requirement for permanent pilot light (if applicable)	P <sub>pilot</sub>		0		0	kW
Additional electricity consumption						
At nominal heat output	el <sub>max</sub>		0,016		0,016	kW
At minimum heat output	el <sub>min</sub>		0,012		0,012	kW
In standby mode	el <sub>sb</sub>		0,0037		0,0037	kW
Energy-efficiency						
Energy-efficiency class			A		B	
Energy-efficiency index	EEl		89		87	
Type heating output/control room temperature				Other control options		
One step heat output, no control of room temperature	no	Control of room temperature, with presence detection				no
Two or more manually adjustable stages, no control of room temperature	no					
With mechanical control of the room temperature by thermostat	no	Control of room temperature, with open window detection				yes
With electronic control of the room temperature	no					
With electronic control of the room temperature plus day-time switch	no	With optional remote control				yes
With electronic control of the room temperature plus week-time switch	yes					
Glen Dimplex Benelux Saturnus 8 Heerenveen The Netherlands						

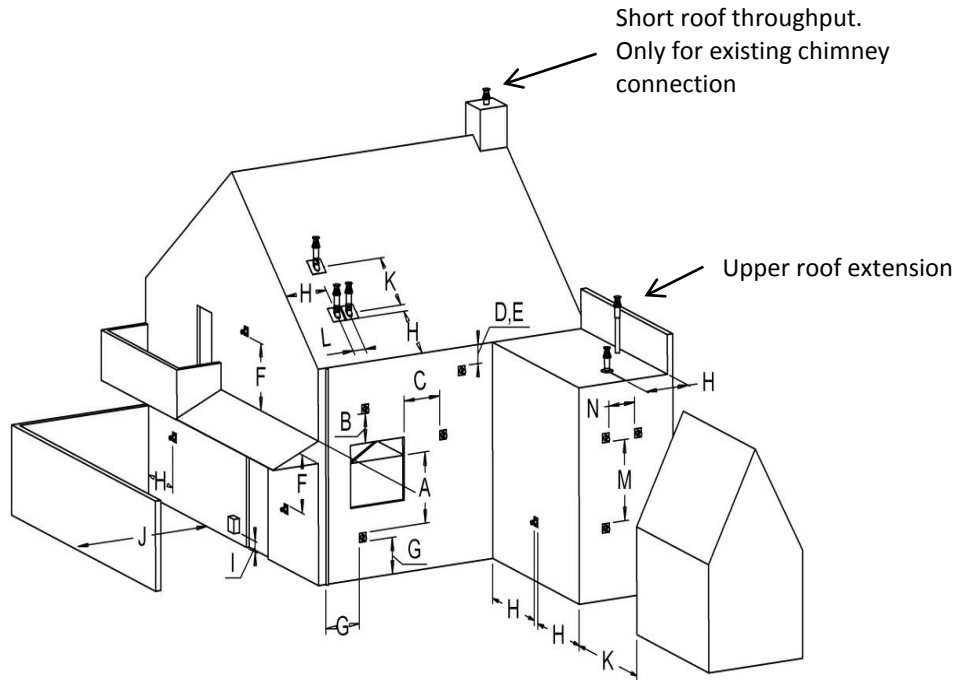
### 14.3 Matrix 1300/400 I,II,III

Technical data						
Type indication(s)	Matrix 1300/400 I,II,III					
Type appliance	C11/C31/C91					
Diameter outlet/inlet	130/200					
Gas connection	3/8"					
Indirect heating functionality	no					
Category	II2H3P					
	Symbol					Unit
Reference gas/inlet pressure			G20-20		G31-37	mbar
Emissions in space heating	NOx		78		65	mg/kWh <sub>input</sub> (GVC)
Direct heating output						
Nominal heat output	P <sub>nom</sub>		10,5		10,6	kW
Minimum heat output (indicative)	P <sub>min</sub>		3,2		3,2	kW
Useful efficiency (NCV)						
At nominal heat output	η <sub>th,nom</sub>		87,4		88,6	%
At minimum heat output (indicative)	η <sub>th,min</sub>		79,7		81,3	%
Appliance input data						
Input	Hi		12,0		12,0	kW
Gas rate at full mark			1,27		0,49	m <sup>3</sup> /h
					0,93	kg/h
Burner pressure at full mark			11,0		26,0	mbar
Power requirement for permanent pilot light						
Power requirement for permanent pilot light (if applicable)	P <sub>pilot</sub>		0		0	kW
Additional electricity consumption						
At nominal heat output	el <sub>max</sub>		0,016		0,016	kW
At minimum heat output	el <sub>min</sub>		0,012		0,012	kW
In standby mode	el <sub>sb</sub>		0,0037		0,0037	kW
Energy-efficiency						
Energy-efficiency class			B		B	
Energy-efficiency index	EEl		86		87	
Type heating output/control room temperature				Other control options		
One step heat output, no control of room temperature	no	Control of room temperature, with presence detection				no
Two or more manually adjustable stages, no control of room temperature	no					
With mechanical control of the room temperature by thermostat	no	Control of room temperature, with open window detection				yes
With electronic control of the room temperature	no					
With electronic control of the room temperature plus day-time switch	no	With optional remote control				yes
With electronic control of the room temperature plus week-time switch	yes					
Glen Dimplex Benelux Saturnus 8 Heerenveen The Netherlands						

## 15 Outlet position

➤ **Please note!**

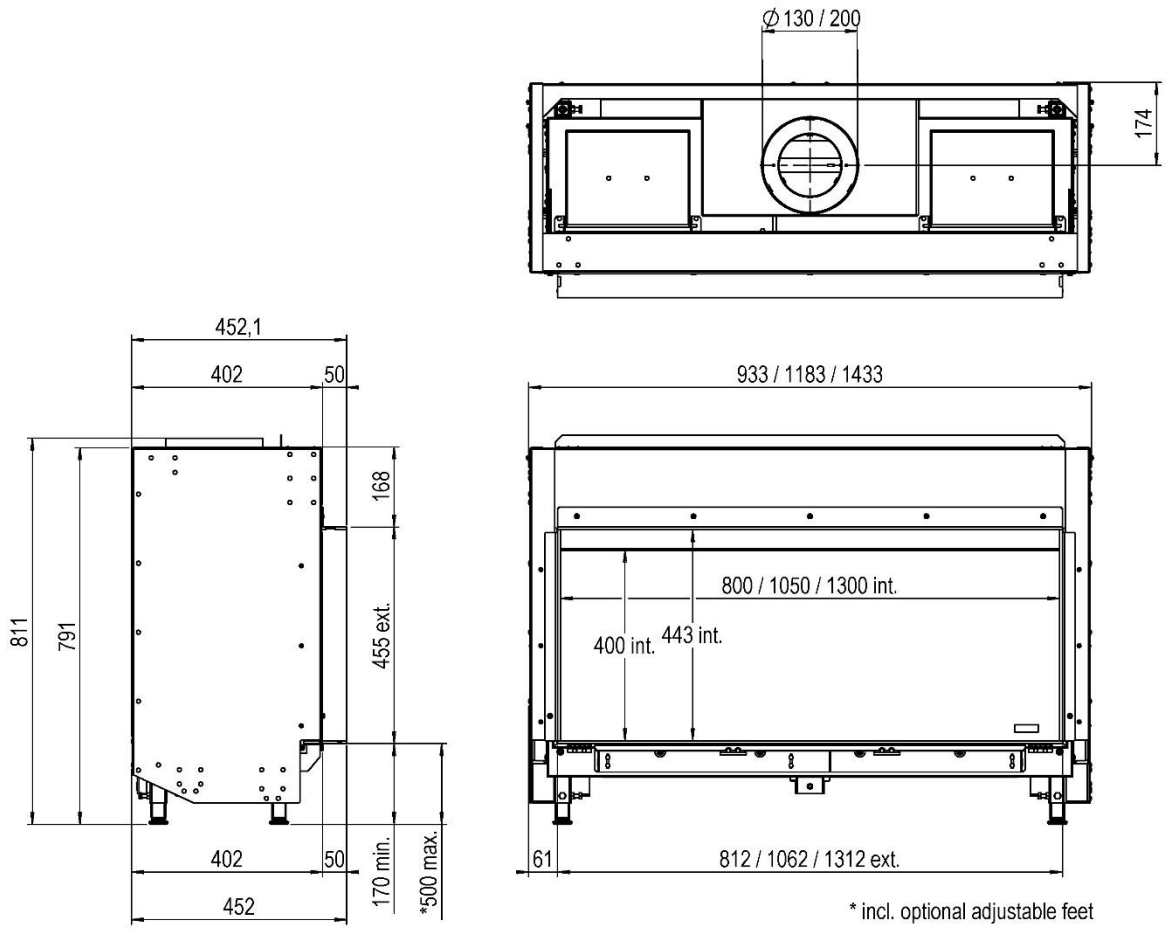
These rules only apply to the proper functioning of the device, for ventilation and nuisance to the environment you must comply with the applicable rules as described in the building decree.



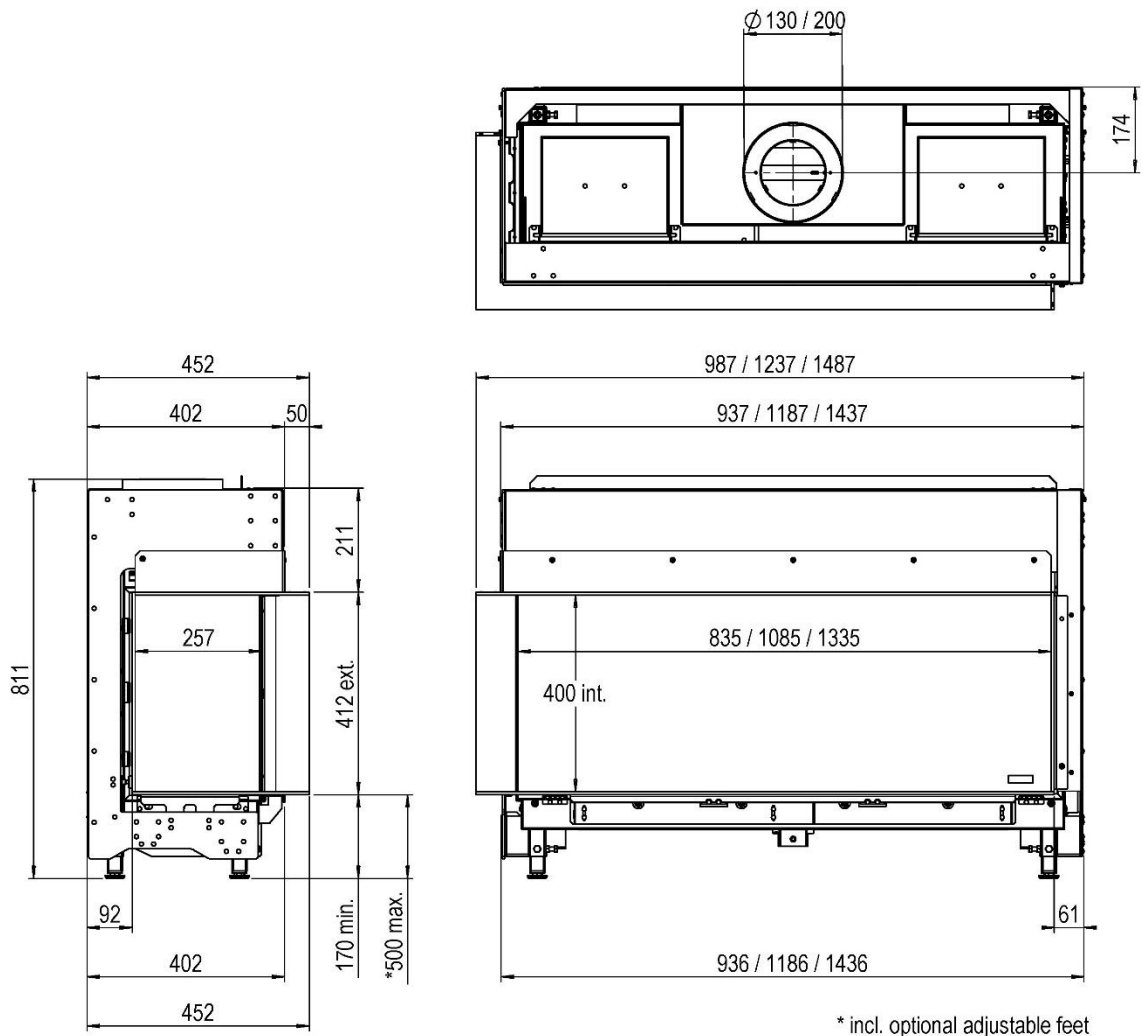
Location	Position outlet	Distance mm
D	Under a gutter	500
E	Under a roof edge	500
F	Under a carport or balcony	500
G	Vertical downpipe	300
H	Inside and outside corners	500
J	From wall surface to a wall outlet	1000
K	Two gable outlets against over each other	1000
L	Distance between two roof outlets	450
M	Two roof outlets above each other on a pitched roof	1000
N	Two gable outlets next to each other	1000

## 16 Dimensional drawings

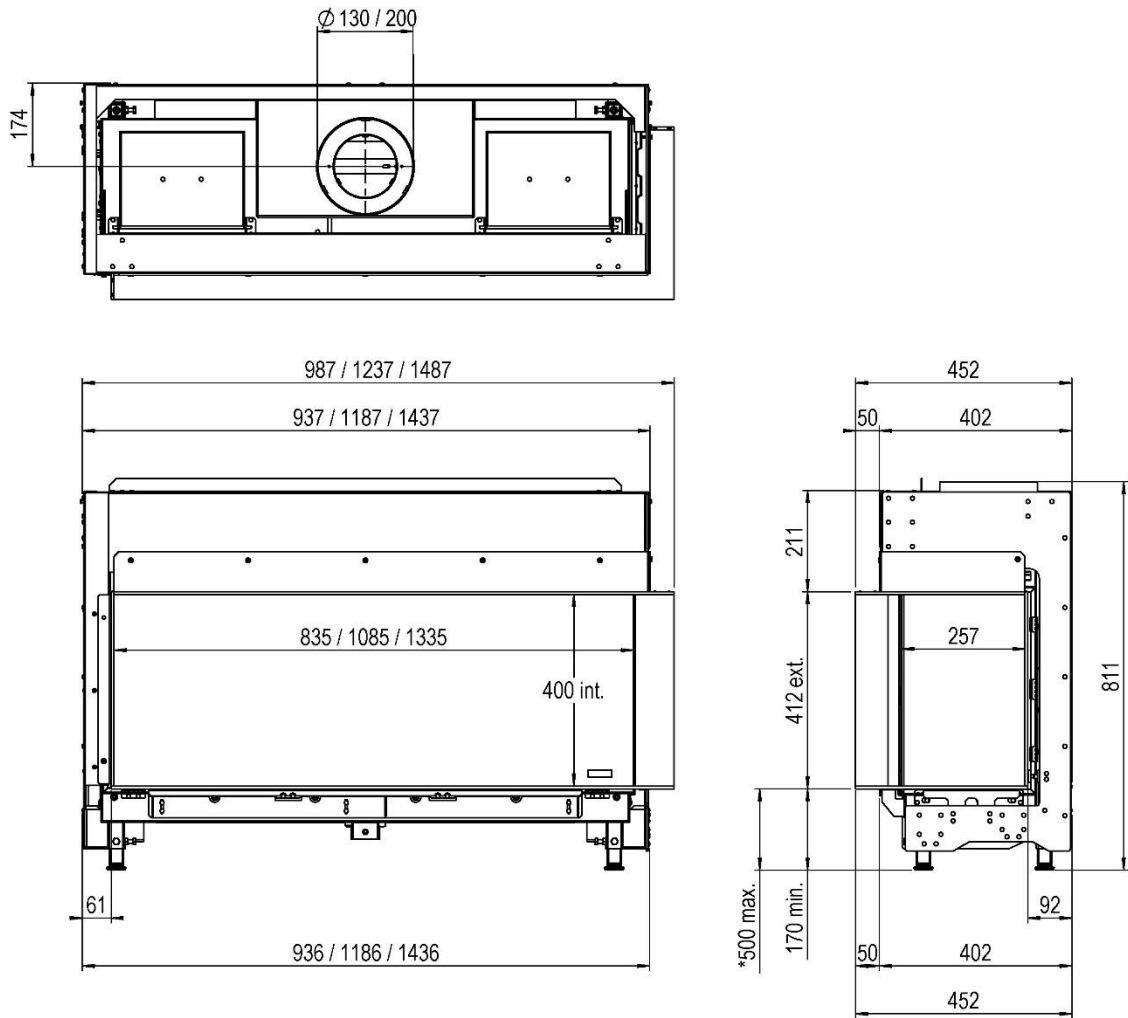
### 16.1 MatriX 800-1050-1300/400 I



16.2 MatriX 800-1050-1300/400 IIL



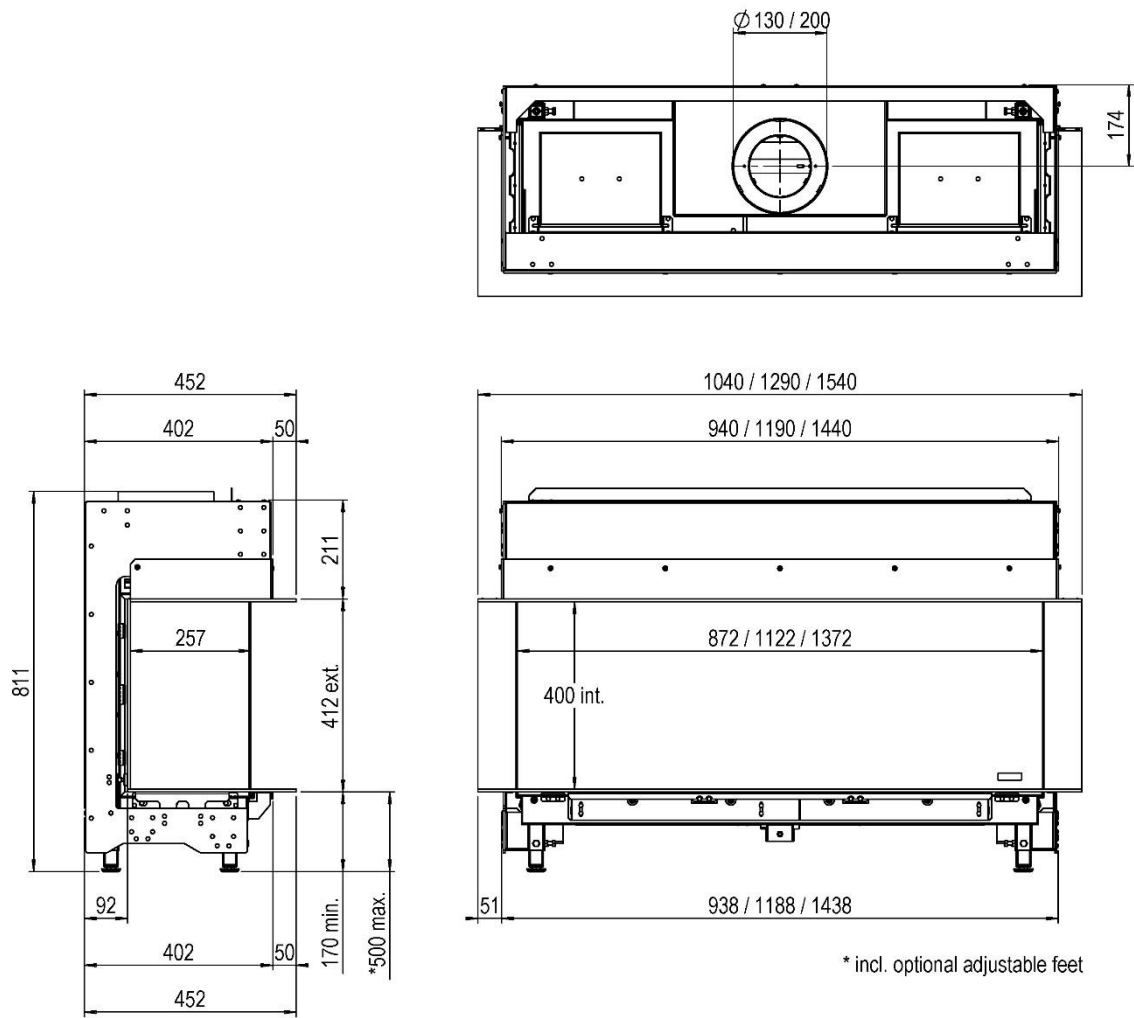
**16.3 MatriX 800-1050-1300/400 IIR**



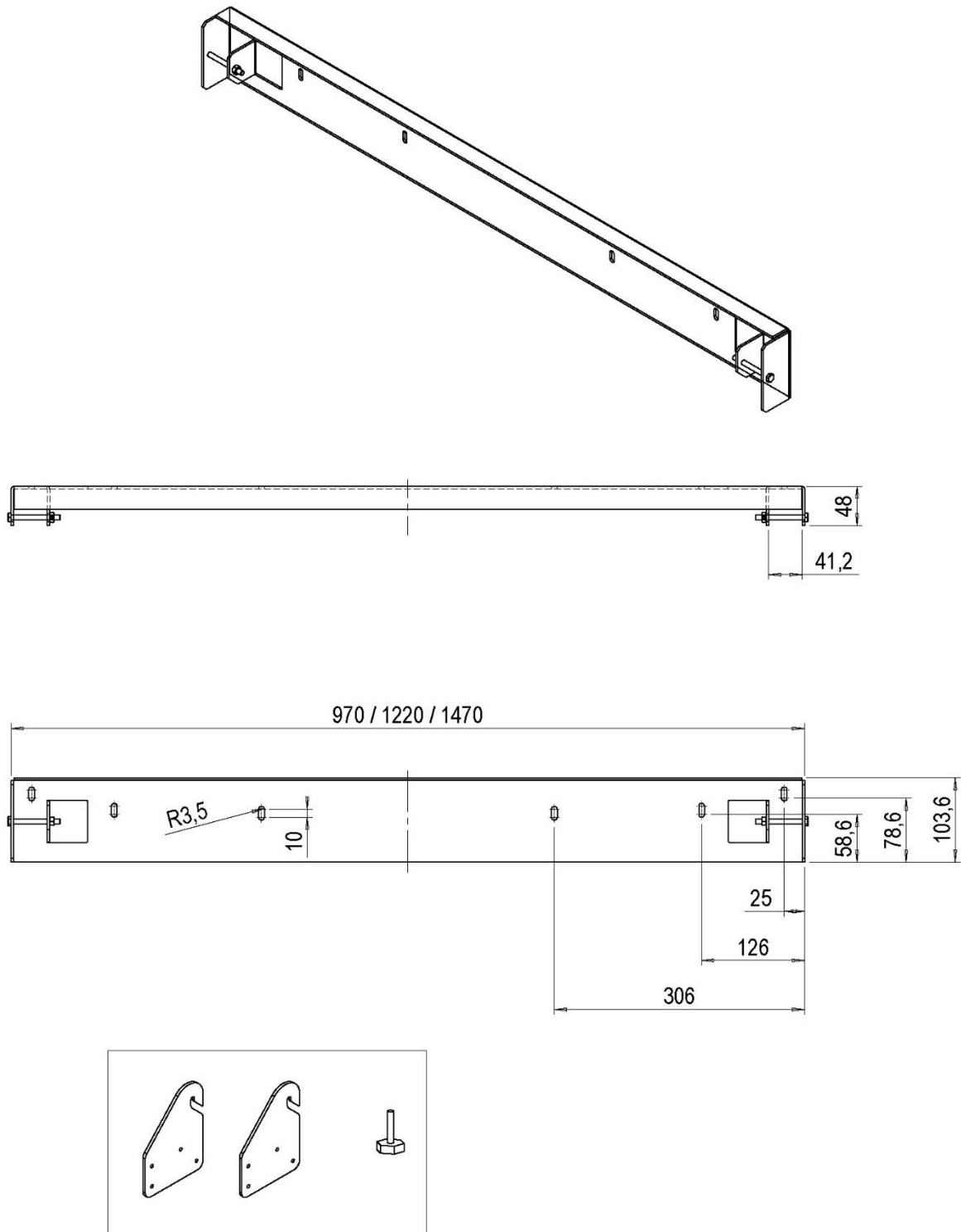
\* incl. optional adjustable feet



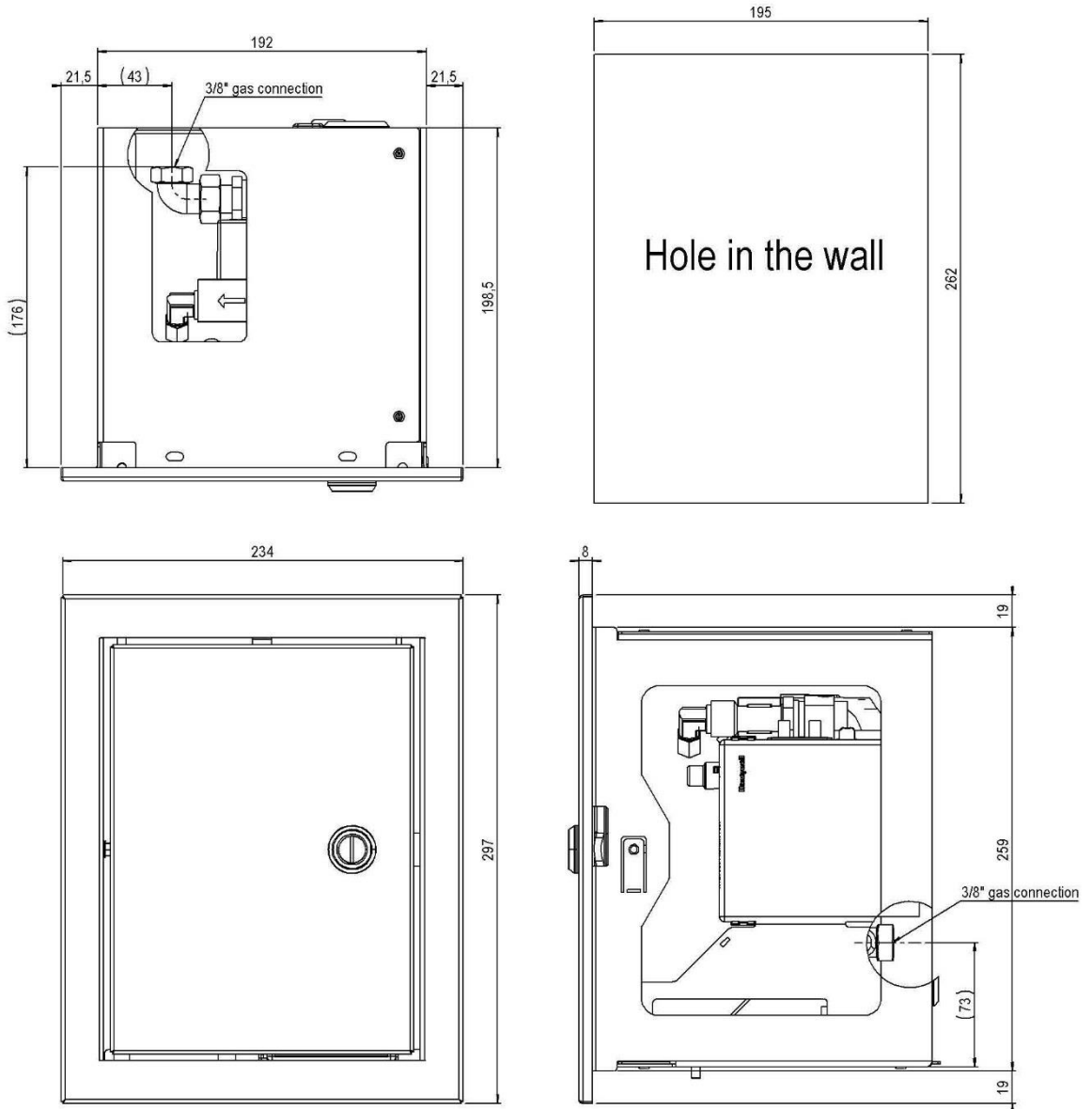
**16.4 MatriX 800-1050-1300/400 III**



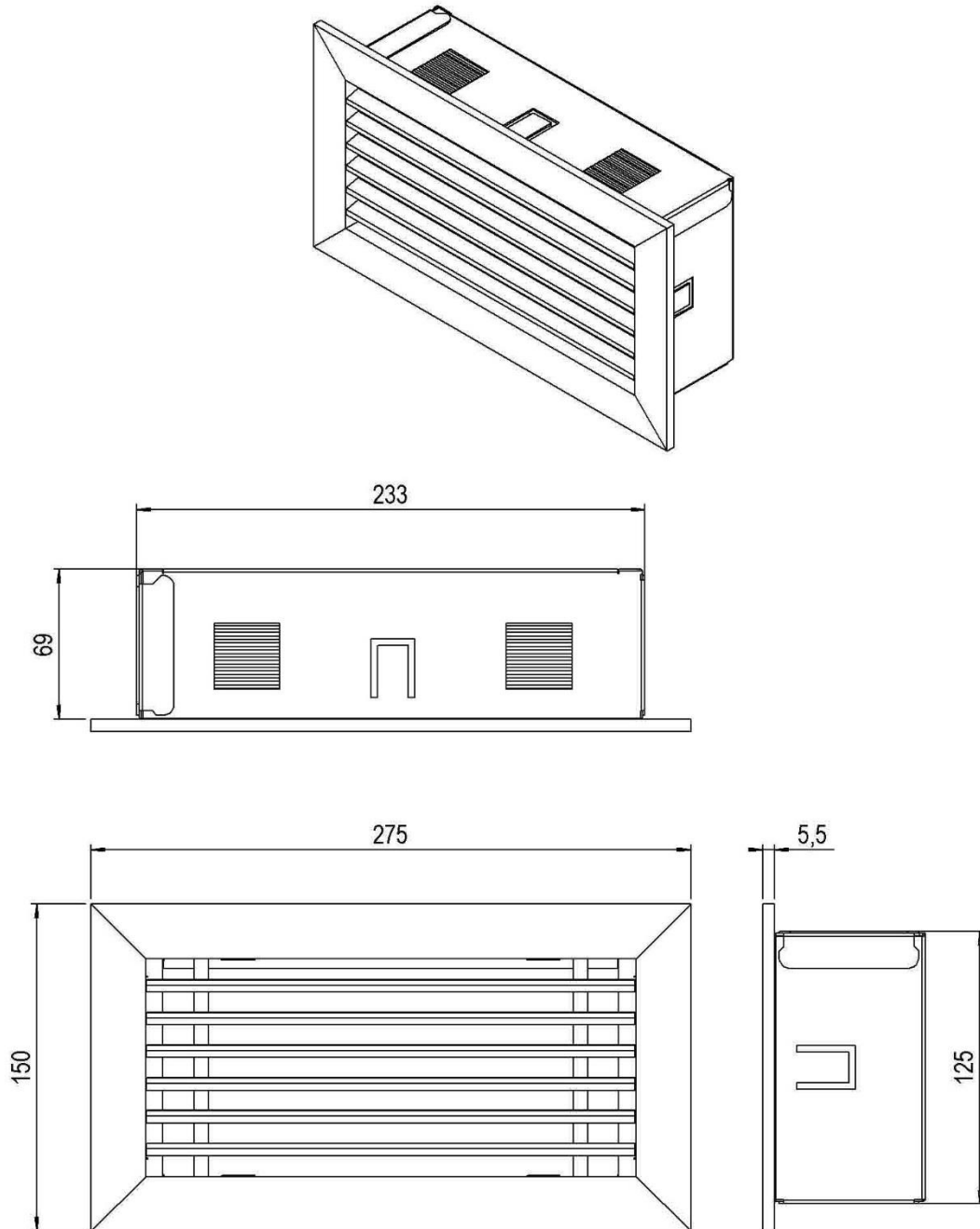
**16.5 Wall bracket MatriX 800-1050-1300/400 I,II,III (article number A9322996-A9323196-A9325296)**



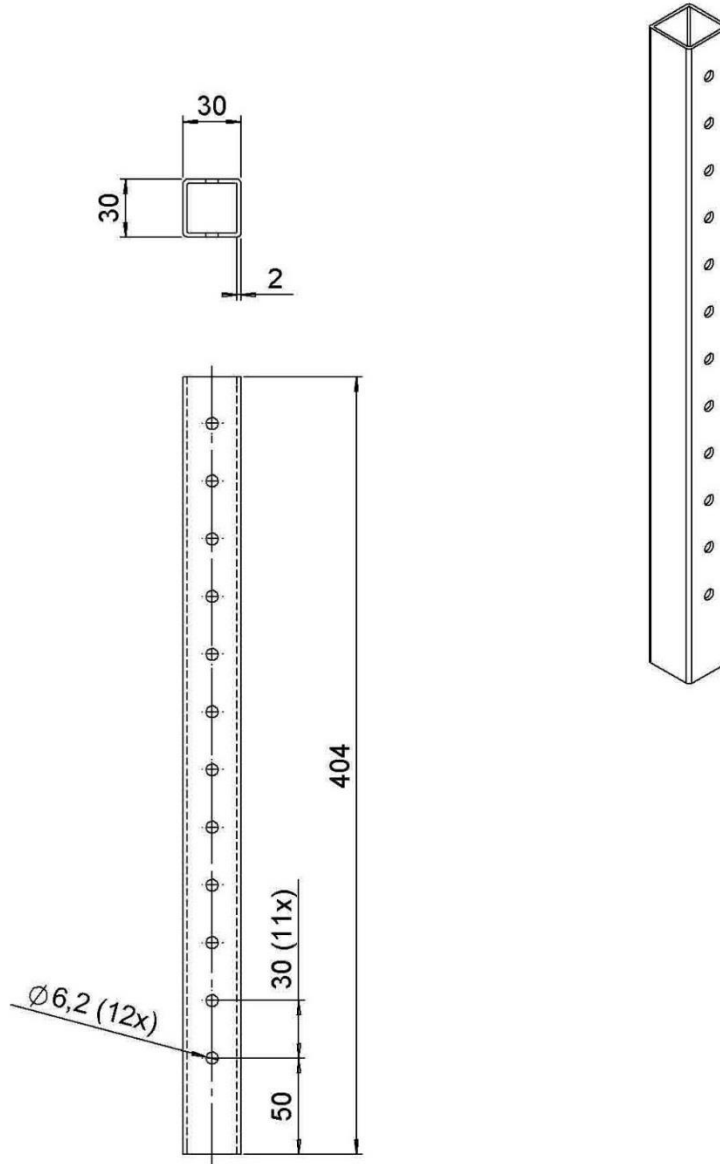
**16.6 Control box FAB1806**



**16.7 Ventilation grid (article number A9296400)**

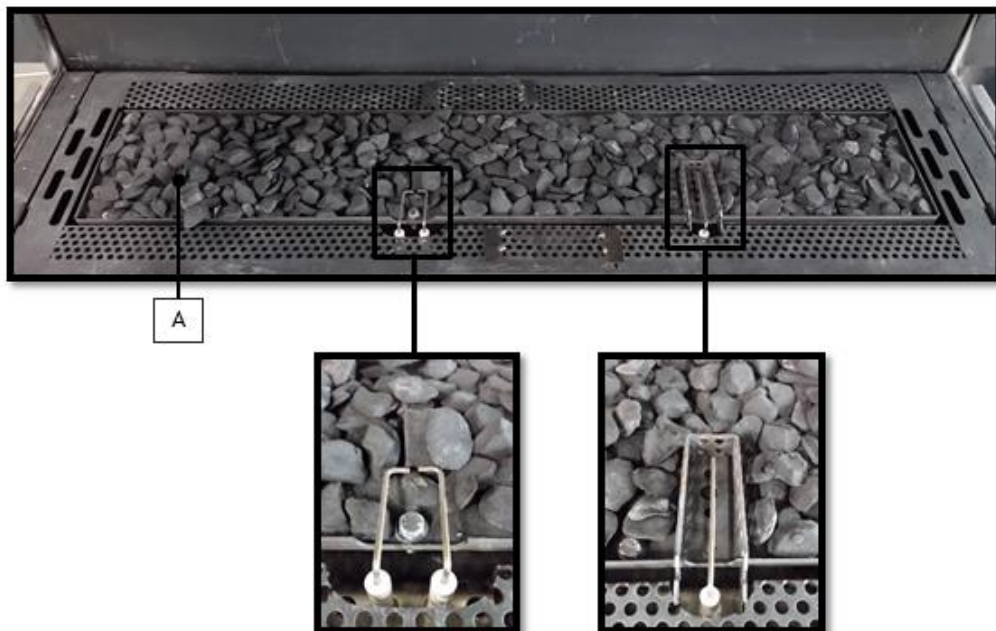


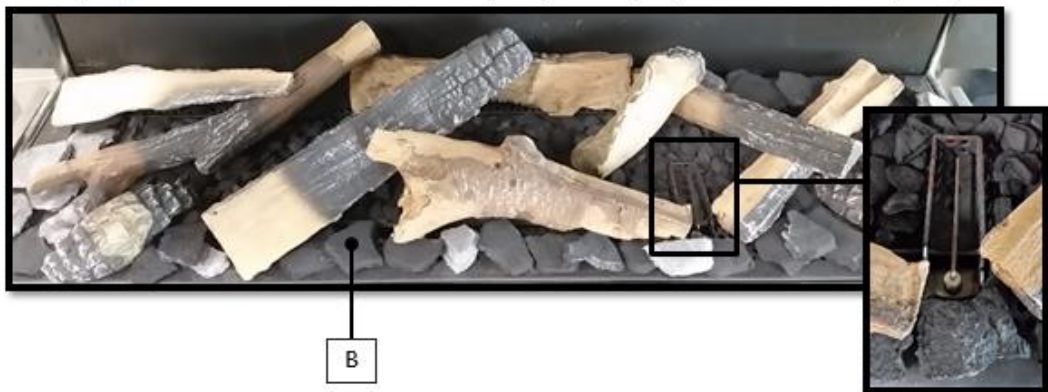
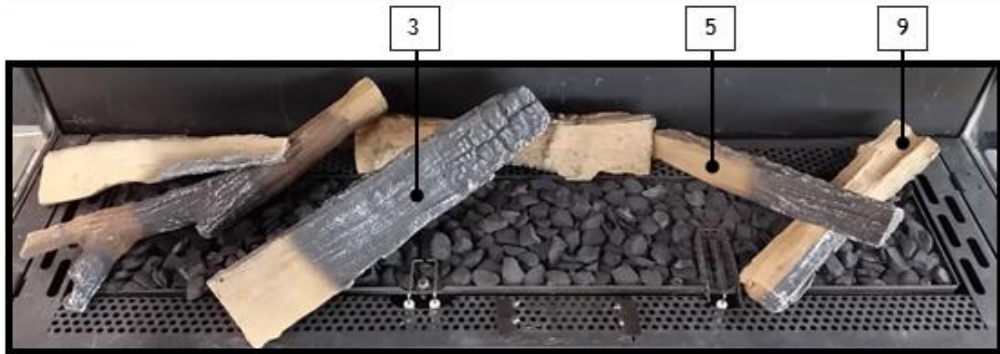
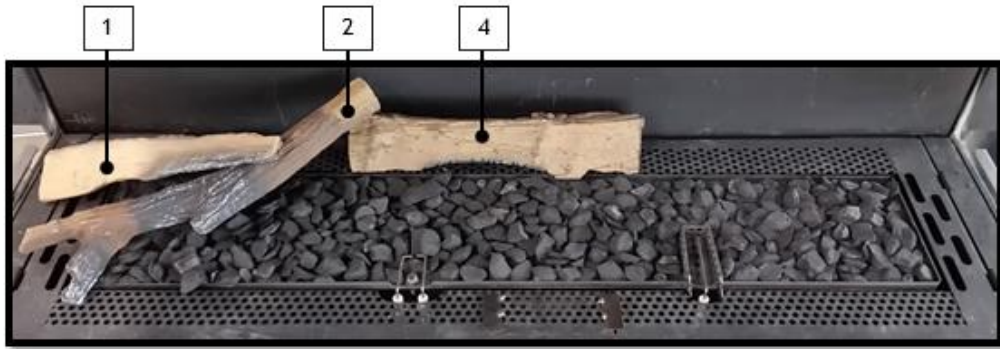
16.8 Adjustable feet (article number A9319696)



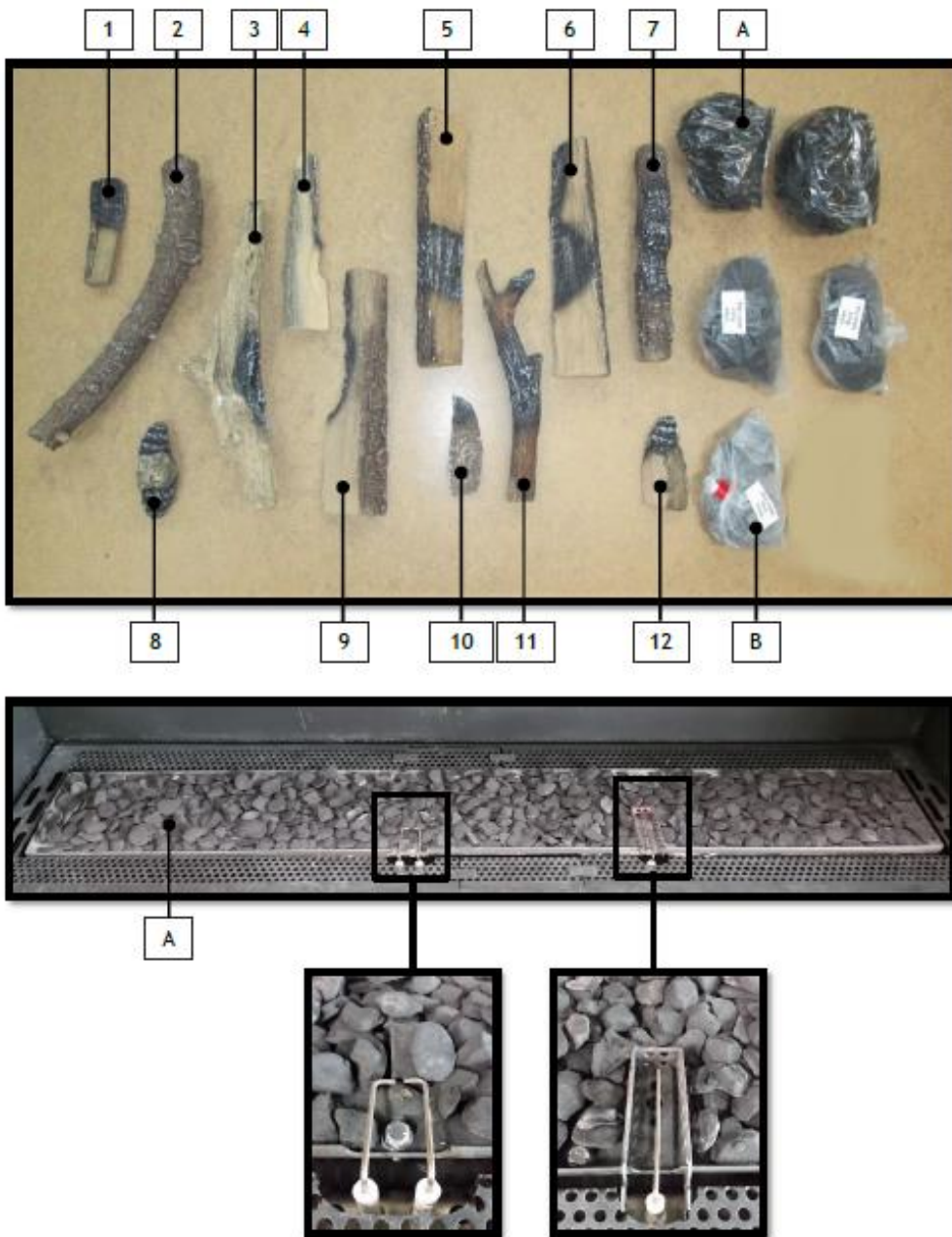
## 17 Decoration instruction cards

### 17.1 Log set Matrix 800/400 I,II,III

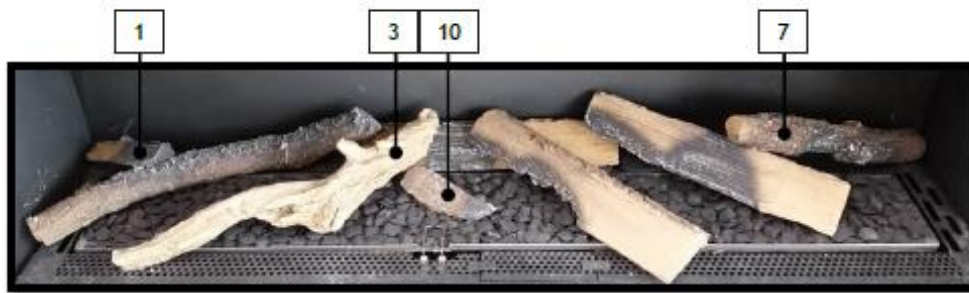
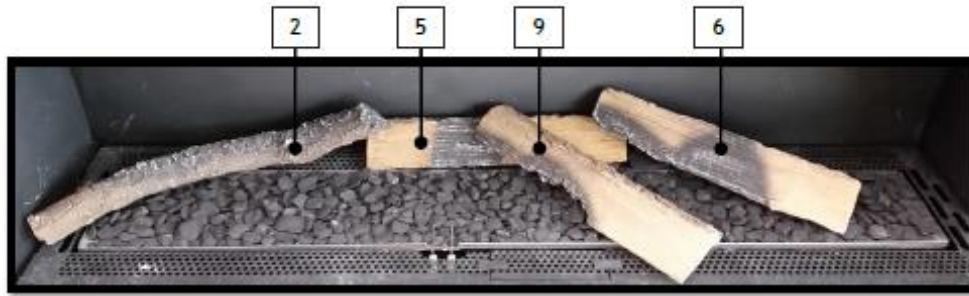




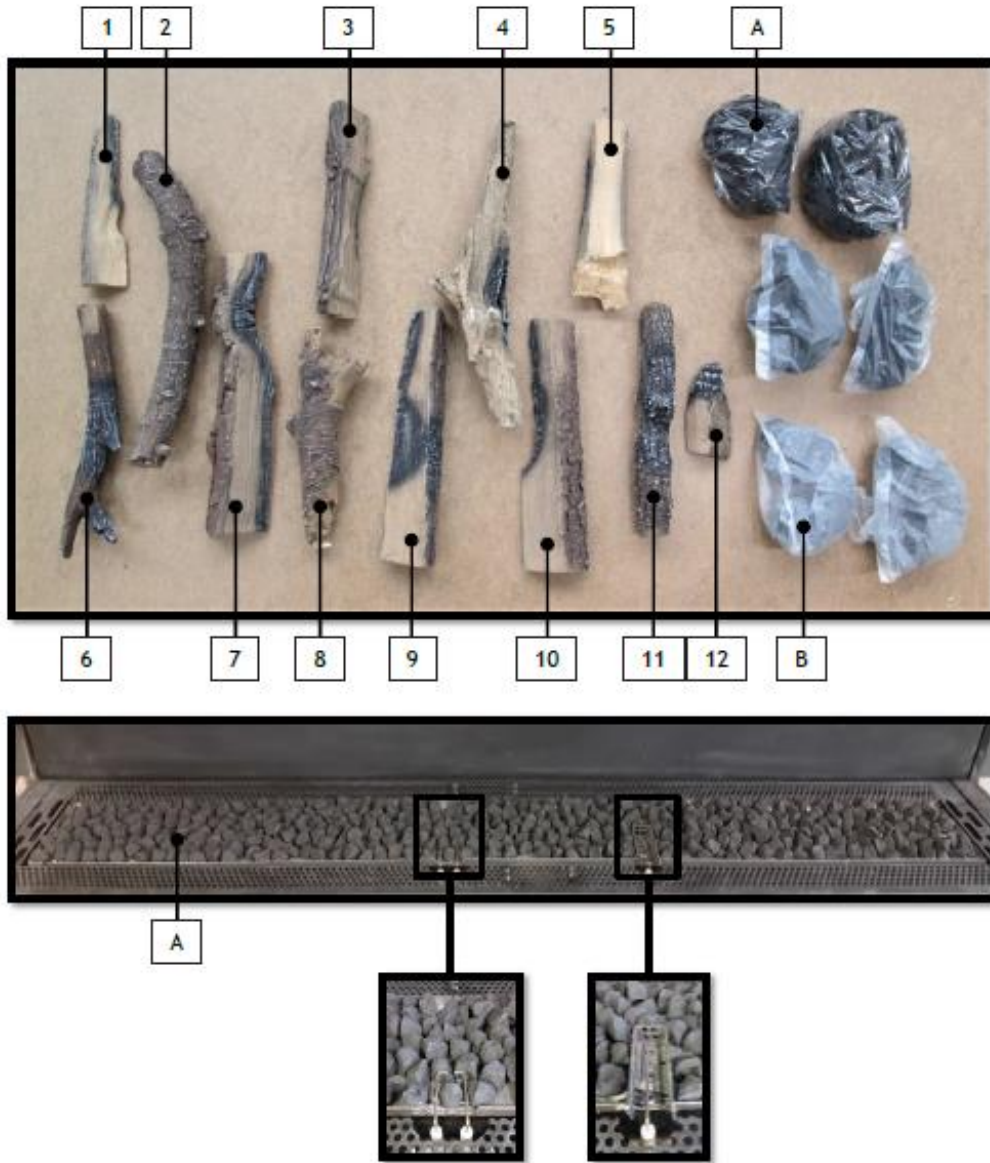
17.2 Log set Matrix 1050/400 I,II,III







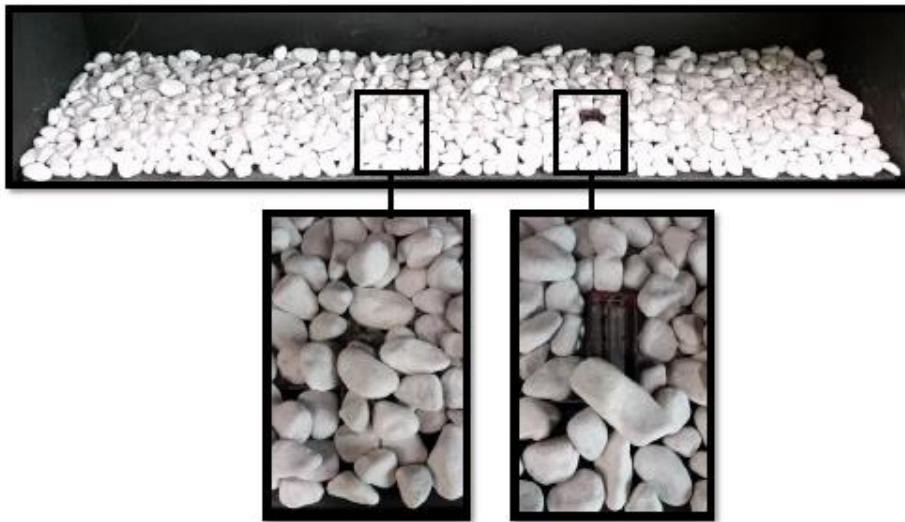
17.3 Log set Matrix 1300/400 I,II,III





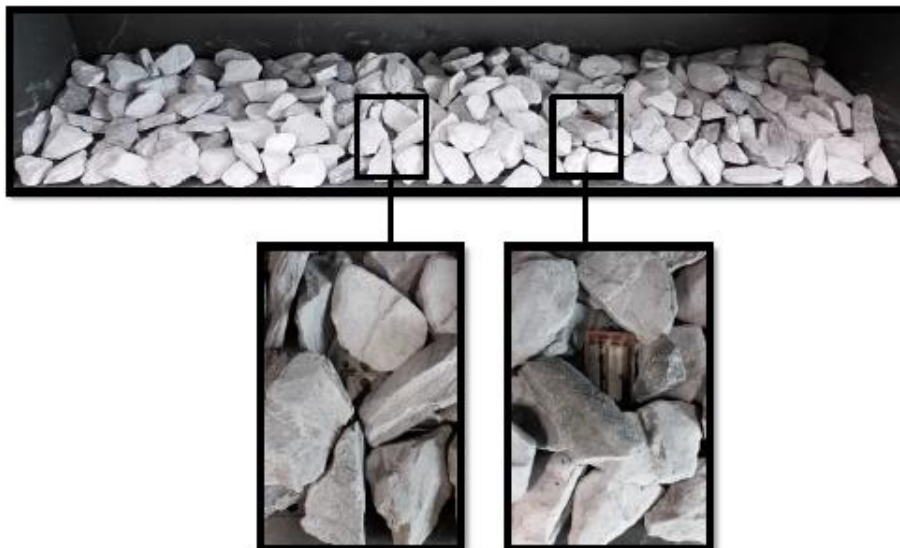
**17.4 Pebbles Matrix 800-1050-1300/400 I,II,III**

---



**17.5 Grey stones Matrix 800-1050-1300/400 I,II,III**

---











[www.faberfires.com](http://www.faberfires.com)

Saturnus 8  
Postbus 219

[contact@faberfires.com](mailto:contact@faberfires.com)

NL 8448 CC Heerenveen  
NL 8440 AE Heerenveen